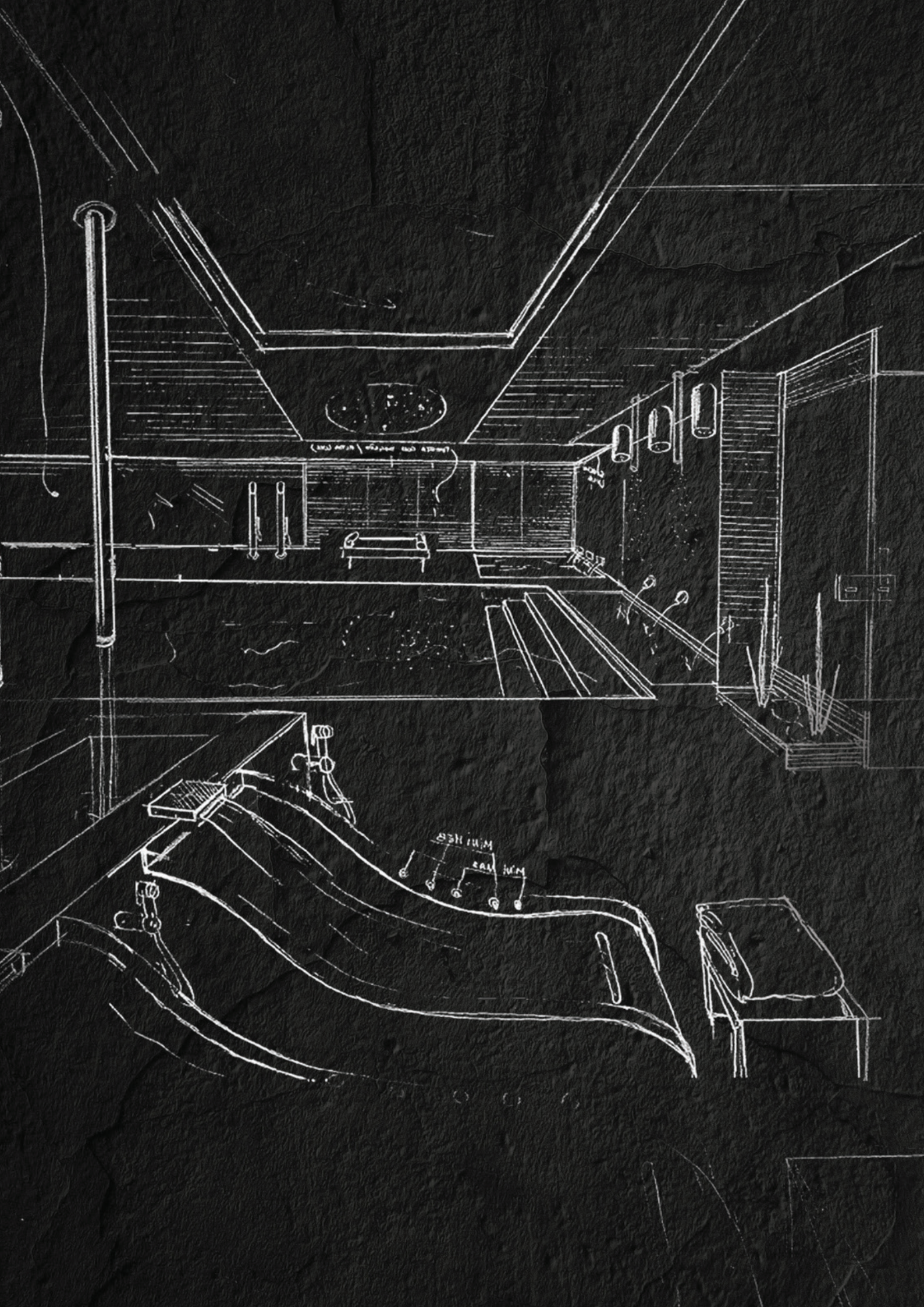


Docce Bidet
Bidet Handsprays



BOSSINI
SHOWER SYSTEMS



DESIGN - TECHNOLOGY INNOVATION

I prodotti Bossini nascono dalla ricerca, dall'esperienza e dalla capacità di sintesi di chi, da sempre, si è impegnato per mettere la tecnologia al servizio dei tempi che cambiano, garantendo un perfetto equilibrio tra estetica e qualità. Sono prodotti pensati, progettati e costruiti per piacere e durare nel tempo.

Bossini products are generated by research, experience and the capability of combining assets. Bossini has always set out to put technology to the service of the changing times and achieve the perfect balance between aesthetics and quality. Its products have been conceived, designed and built to please customers and last forever.

Unità produttive



PRODUCTION PLANTS

PROJECTS REFERENCE



Burj al-Arab
Abu Dhabi
United Arab Emirates



Hotel La Lama
Roma
Italy



Hotel Mondial
Berlin
Germany



MGM
Las Vegas
USA



Hotel Metropol
Moscow
Russia

SINCE 1960 - MADE IN ITALY HISTORY

Bossini produce docce ed accessori dal 1960 con la consapevolezza che anche un semplice gesto quotidiano, come l'utilizzo della doccia, nasconde un intero mondo di valori: funzionali, estetici, tecnici e umani.

Grazie a sessant'anni di esperienza, Bossini è riuscita a conferire alla doccia quei valori aggiunti di personalità e carattere capaci di rispondere alla più evoluta concezione di bagno, inteso non solo come spazio intimo meritevole del massimo della qualità estetica e funzionale, ma come nuovo teatro del home wellness.

Bossini has been producing showers and accessories since 1960 with the awareness that even a simple daily act, like using the shower, can open the door to a whole world of values: functional, aesthetic, technical and human values.

Thanks to its 60 years of experience, Bossini has succeeded in giving showers the added values of personality and character reflected by a highly evolved concept of "The Bathroom", intended not only as an intimate space that merits top quality in terms of aesthetics and function, but as a new theatre of home wellness.



Euler Hotel
Basel
Switzerland



Hotel Le Royal Monceau
Paris
France



Hotel Ritz
Barcelona
Spain



Atlantis The Palm
Dubai
United Arab Emirates



Bluewaters Island
Dubai
United Arab Emirates

MATT BLACK SOLUTIONS



E37007

Paloma-Brass
Progressive mixer set
Cromolux hose 125 cm



E37010

Talita-Brass
Progressive mixer set
Cromolux hose 125 cm



E38003

Cube Brass
Progressive mixer set
Cromolux hose 125 cm



E37015

Paloma-Flat ABS
Progressive mixer set
Cromolux hose 125 cm



E57015

Paloma-ABS
Stop Valve
Cromolux hose 125 cm



E57052

Talita-Brass
Stop Valve
Cromolux hose 125 cm



EA4002

Cube Brass
Stop Valve
Cromolux hose 125 cm



C03123

Paloma ABS
Fixed wall bracket
Cromolux hose 125 cm





SPECIAL
FINISHINGS
FOR DESIGN
BATHROOMS



SPECIAL FINISHINGS

BRASS - ABS

BRASS



030

Cromo
Chrome



094

Nichel Spazzolato
Satin Nickel



095

Nichel Lucido
Polished Nickel



073

Nero Opaco
Mat Black

ABS



030

Cromo
Chrome



094

Nichel Spazzolato
Satin Nickel



095

Nichel Lucido
Polished Nickel



073

Nero Opaco
Mat Black

BIDET HANDSPRAYS

L'igiene intima è una funzione essenziale per l'ambiente bagno. I set shut-off di Bossini sono la risposta più adeguata e completa a ogni possibile esigenza. Miscelatore acqua calda e fredda, oppure un elegante rubinetto progressivo o una valvola a chiusura automatica per l'acqua fredda: ognuna di queste soluzioni è combinabile con una doccetta a pulsante in ottone o ABS e un flessibile in ottone a doppia aggraffatura o in nylon rinforzato. Il risultato è un sistema affidabile, efficiente e durevole per l'igiene intima.

Intimate hygiene is an essential function in the bathroom space. Bossini shut-off sets are the most suitable and complete solution to every possible need. Hot and cold water mixer, an elegant progressive mixer or a self-closing valve for cold water: each of these solutions can be combined with a brass or ABS shut-off handspray and a double-interlock brass or a nylon reinforced hose. The result is a reliable, efficient and durable system for intimate hygiene.

PALOMA Brass

Bidet Handspray

B00470

Doccia Paloma-Brass in ottone
Paloma-Brass bidet Handspray



Rain Spray

CA2001

Paloma-Brass set

CA2000

Supporto ottone

Brass fixed wall bracket

B00470

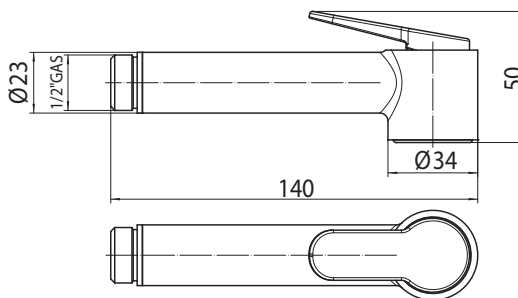
Doccia Paloma in ottone

Paloma-Brass Handspray

A03045

Fless. ottone cm 125

D.Int. brass hose 125 cm



E57500 - STOP VALVE

Rubinetto d'arresto da 1/2\"/>

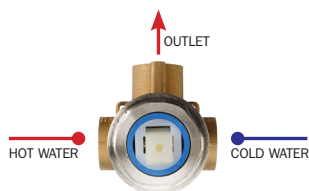
1/2\"/>



C69038 Paloma-Brass set
 C69000 Supporto con arresto acqua
Safety stop valve w/ shower holder
 B00470 Doccia Paloma in ottone
Paloma-Brass Handspray
 A05045 Flessibile ottone cm 125
D.Int. brass hose 125 cm



Z00008
 Parti esterne miscelatore 1 VIA
External parts single lever mixer 1 WAY



Z00007
 Parti incasso miscelatore monocomando
 1 VIA, attacco da 1/2"
*Concealed parts for single lever mixer
 1 WAY, 1/2" connection*



E57033 Paloma-Brass set
 E57000 Rubinetto con supporto
Stop valve w/ shower holder
 B00470 Doccia Paloma in ottone
Paloma-Brass Handspray
 A03045 Fless. ottone cm 125
D.Int. brass hose 125 cm

CUBE Brass

Bidet Handspray



B00475

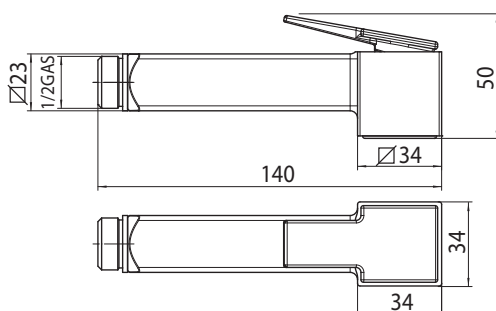
Doccia Cube-Brass in ottone
Cube-Brass bidet Handspray



Rain Spray

- << **C50020** Cube-Brass set
 C50000 Supporto ottone
Brass fixed wall bracket
 B00475 Doccia Cube in ottone
Cube-Brass Handspray
 A03045 Fless. ottone cm 125
D.Int. brass hose 125 cm

- CA3001** Cube-Brass set >>
 CA3000 Supporto ottone
Brass fixed wall bracket
 B00475 Doccia Cube in ottone
Cube-Brass Handspray
 A03045 Fless. ottone 125 cm
D.Int. brass hose 125 cm



EA5000 - STOP VALVE

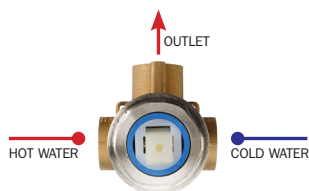
Rubinetto d'arresto da 1/2" M con vitone a dischi di ceramica
1/2" M Stop valve with ceramic discs headwork



CB3003 Cube-Brass set
 CB3000 Supporto con arresto acqua
Safety stop valve w/ shower holder
 B00475 Doccia Cube in ottone
Cube-Brass Handspray
 A05045 Flessibile ottone cm 125
D.Int. brass hose 125 cm



Z00064
 Parti esterne miscelatore 1 VIA
External parts single lever mixer 1 WAY



Z00007
 Parti incasso miscelatore monocomando
 1 VIA, attacco da 1/2"
*Concealed parts for single lever mixer
 1 WAY, 1/2" connection*



EA4001 Cube-Brass set
 EA4000 Rubinetto con supporto
Stop valve w/ shower holder
 B00475 Doccia Cube in ottone
Cube-Brass Handspray
 A03045 Flessibile ottone cm 125
D.Int. brass hose 125 cm

PALOMA Brass

Progressive Mixer set



B00470

Doccia Paloma-Brass in ottone
Paloma-Brass bidet Handspray



Rain Spray

E37005 Paloma-Brass set
E37000 Miscelatore progressivo
Progressive mixer
B00470 Doccia Paloma in ottone
Paloma-Brass Handspray
A03045 Fless. ottone cm 125
D.Int. brass hose 125 cm



E37007 Paloma-Brass set
E37000 Miscelatore progressivo
Progressive mixer
B00470 Doccia Paloma in ottone
Paloma-Brass Handspray
A00158 Fless. Cromolux cm 125
Cromolux nylon hose 125 cm

CUBE Brass

Progressive Mixer set



B00475

Doccia Cube-Brass in ottone
Cube-Brass bidet Handspray



Rain Spray

E38001 Cube-Brass set
E38000 Miscelatore progressivo
Progressive mixer
B00475 Doccia Cube in ottone
Cube-Brass Handspray
A03045 Fless. ottone cm 125
D.Int. brass hose 125 cm



E38003 Cube-Brass set
E38000 Miscelatore progressivo
Progressive mixer
B00475 Doccia Cube in ottone
Cube-Brass Handspray
A00158 Fless. Cromolux cm 125
Cromolux nylon hose 125 cm



PROGRESSIVE MIXER SET

B00462

Doccia Paloma-Flat in ABS
Paloma-Flat bidet ABS Handspray



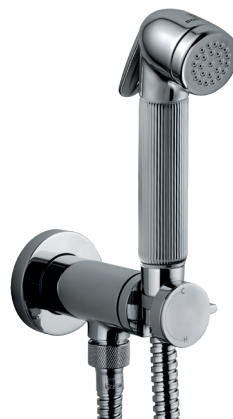
Rain Spray

E37011 Paloma-Flat set
E37000 Miscelatore progressivo
Progressive mixer
B00462 Doccia Paloma-Flat
Paloma-Flat Handspray
A03045 Fless. ottone cm 125
D.Int. brass hose 125 cm

E37015 Paloma-Flat set
E37000 Miscelatore progressivo
Progressive mixer
B00462 Doccia Paloma-Flat
Paloma-Flat Handspray
A00158 Fless. Cromolux cm 125
Cromolux nylon hose 125 cm

B00650

Doccia Nikita in ottone
Nikita Brass bidet Handspray



Rain Spray

E37008 Nikita set
E37000 Miscelatore progressivo
Progressive mixer
B00650 Doccia Nikita in ottone
Nikita-Brass Handspray
A03045 Fless. ottone cm 125
D.Int. brass hose 125 cm

E37009 Nikita set
E37000 Miscelatore progressivo
Progressive mixer
B00650 Doccia Nikita in ottone
Nikita-Brass Handspray
A00158 Fless. Cromolux cm 125
Cromolux nylon hose 125 cm

KIT MISCELATORE CON STOP VALVE e doccetta bidet MIXER KIT WITH STOP VALVE and bidet handspray



Z005395 Paloma-Brass mixer set
Z005 Miscelatore incasso stop valve
Concealed shower mixer stop valve
B00470 Doccia Paloma-Brass
Paloma-Brass Bidet Handspray
A05158 Fless. Cromolux retinato nylon cm 125
Cromolux nylon reinforced hose 125 cm

Z005394 Paloma-Brass mixer set
Z005 Miscelatore incasso stop valve
Concealed shower mixer stop valve
B00470 Doccia Paloma-Brass
Paloma-Brass Bidet Handspray
A05045 Fless. ottone doppia aggraffatura cm 125
Double interlock brass flexible hose 125 cm



Z005397 Nikita mixer set
Z005 Miscelatore incasso stop valve
Concealed shower mixer stop valve
B00650 Doccia Nikita-Brass
Nikita-Brass Bidet Handspray
A05158 Fless. Cromolux retinato nylon cm 125
Cromolux nylon reinforced hose 125 cm

Z005396 Nikita mixer set
Z005 Miscelatore incasso stop valve
Concealed shower mixer stop valve
B00650 Doccia Nikita-Brass
Nikita-Brass Bidet Handspray
A05045 Fless. ottone doppia aggraffatura cm 125
Double interlock brass flexible hose 125 cm



Z005393 Cube-Brass mixer set
Z005 Miscelatore incasso stop valve
Concealed shower mixer stop valve
B00475 Doccia Cube-Brass
Cube-Brass Bidet Handspray
A05158 Fless. Cromolux retinato nylon cm 125
Cromolux nylon reinforced hose 125 cm

Z005392 Cube-Brass mixer set
Z005 Miscelatore incasso stop valve
Concealed shower mixer stop valve
B00475 Doccia Cube-Brass
Cube-Brass Bidet Handspray
A05045 Fless. ottone doppia aggraffatura cm 125
Double interlock brass flexible hose 125 cm



Z005399 Paloma mixer set
Z005 Miscelatore incasso stop valve
Concealed shower mixer stop valve
B00442 Doccia Paloma ABS
Paloma ABS Bidet Handspray
A05158 Fless. Cromolux retinato nylon cm 125
Cromolux nylon reinforced hose 125 cm

Z005398 Paloma mixer set
Z005 Miscelatore incasso stop valve
Concealed shower mixer stop valve
B00442 Doccia Paloma ABS
Paloma ABS Bidet Handspray
A05045 Fless. ottone doppia aggraffatura cm 125
Double interlock brass flexible hose 125 cm



Z005383 Nikita-Gom set
 Z005 Miscelatore incasso stop valve
Concealed shower mixer stop valve
 B00654 Doccia Nikita-Gom in ottone
Nikita-Gom brass bidet Handspray
 A05158 Fless. Cromolux retinato nylon cm 125
Cromolux nylon reinforced hose 125 cm

Z005382 Nikita-Gom set
 Z005 Miscelatore incasso stop valve
Concealed shower mixer stop valve
 B00654 Doccia Nikita-Gom in ottone
Nikita-Gom brass bidet Handspray
 A05045 Fless. ottone doppia aggraffatura cm 125
Double interlock brass flexible hose 125 cm

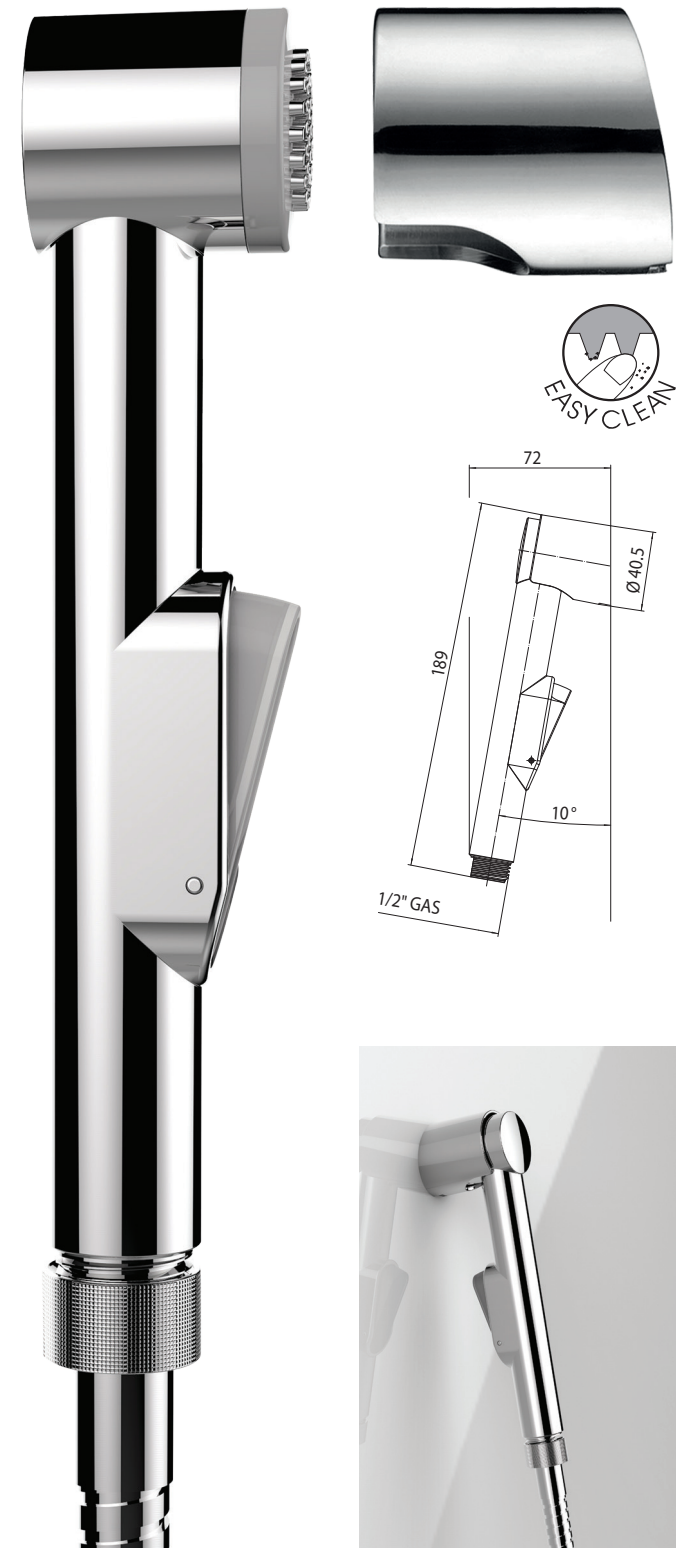


Z005381 Paloma aerated set
 Z005 Miscelatore incasso stop valve
Concealed shower mixer stop valve
 B01443 Paloma ABS getto aerato
Paloma ABS aerated Handspray
 A05158 Fless. Cromolux retinato nylon cm 125
Cromolux nylon reinforced hose 125 cm

Z005380 Paloma aerated set
 Z005 Miscelatore incasso stop valve
Concealed shower mixer stop valve
 B01443 Paloma ABS getto aerato
Paloma ABS aerated Handspray
 A05045 Fless. ottone doppia aggraffatura cm 125
Double interlock brass flexible hose 125 cm

MACAN

Bidet Handspray



B00490

Doccia Macan in ABS con pulsante
ABS Macan shut-off Handspray



Rain Spray

C98029 Macan set

C98000 Supporto ABS / *Head bracket*
 B00490 Doccia Macan in ABS con pulsante
ABS Macan shut-off Handspray
 A00040 Fless. ottone cm 125
D.Int. brass hose 125 cm

C98030 Macan set

C98000 Supporto ABS / *Head bracket*
 B00490 Doccia Macan in ABS con pulsante
ABS Macan shut-off Handspray
 A00186 Fless. Cromolux cm 125
Cromolux hose 125 cm

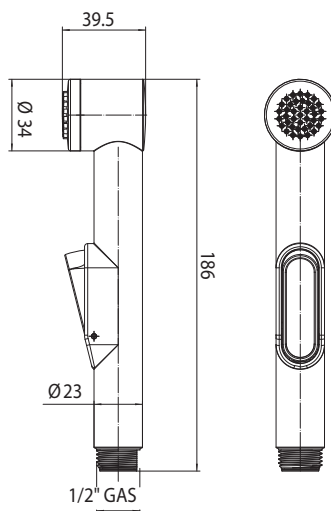


Finishings
 Cromo/Chrome (030) - Bianco/White (013)



- C03270** Macan set
 C03000 Supporto ABS / Fixed wall bracket
 B00490 Doccia Macan in ABS con pulsante
ABS Macan shut-off Handspray
 A03045 Fless. ottone cm 125
D.Int. brass hose 125 cm

- C03271** Macan set
 C03000 Supporto ABS / Fixed wall bracket
 B00490 Doccia Macan in ABS con pulsante
ABS Macan shut-off Handspray
 A00158 Fless. Cromolux cm 125
Cromolux hose 125 cm



PALOMA

Bidet Handspray

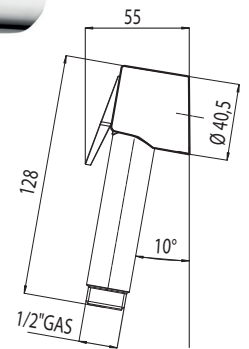
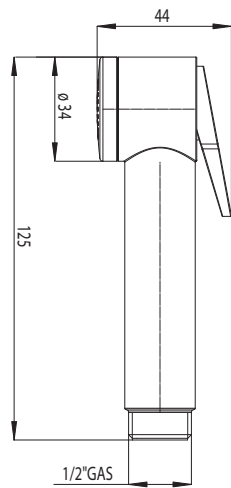


B00442

Doccia Paloma in ABS
ABS Paloma bidet Handspray



Rain Spray



- C03121** Paloma set
C03000 Supporto ABS / Fixed wall bracket
B00442 Doccia Paloma in ABS
Paloma ABS Handspray
A03045 Fless. ottone cm 125
D.Int. brass hose 125 cm

- C03123** Paloma set
C03000 Supporto ABS / Fixed wall bracket
B00442 Doccia Paloma in ABS
Paloma ABS Handspray
A00158 Fless. Cromolux cm 125
Cromolux hose 125 cm

- C98002** Paloma set
C98000 Supporto ABS / Head bracket
B00442 Doccia Paloma in ABS
Paloma ABS Handspray
A03045 Fless. ottone cm 125
D.Int. brass hose 125 cm

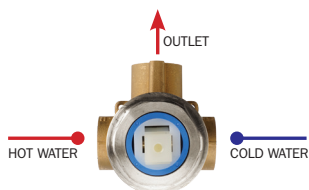
- C98003** Paloma set
C98000 Supporto ABS / Head bracket
B00442 Doccia Paloma in ABS
Paloma ABS Handspray
A00158 Fless. Cromolux cm 125
Cromolux hose 125 cm



C69001 Paloma set
 C69000 Supporto con arresto acqua
Safety stop valve w/ shower holder
 B00442 Doccia Paloma in ABS
Paloma ABS Handspray
 A05045 Flessibile ottone cm 125
D.Int. brass hose 125 cm



Z00008
 Parti esterne miscelatore 1 VIA
External parts single lever mixer 1 WAY



Z00007
 Parti incasso miscelatore monocomando
 1 VIA, attacco da 1/2"
*Concealed parts for single lever mixer
 1 WAY, 1/2" connection*



E57006 Paloma set
 E57000 Rubinetto / Stop valve
 B00442 Doccia Paloma in ABS
Paloma ABS Handspray
 A03045 Flessibile ottone cm 125
D.Int. brass hose 125 cm

E57015 Paloma set
 E57000 Rubinetto / Stop valve
 B00442 Doccia Paloma in ABS
Paloma ABS Handspray
 A00158 Fless. Cromolux cm 125
Cromolux hose 125 cm

PALOMA^{FLAT}

Bidet Handspray

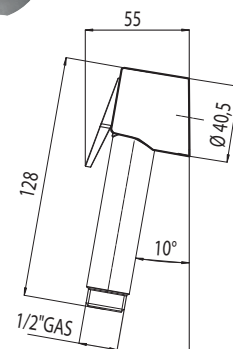
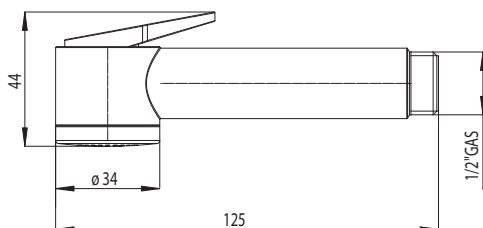


B00462

Doccia Paloma^{FLAT} in ABS
ABS Paloma^{FLAT} bidet Handspray



Rain Spray



C03177 Paloma^{FLAT} set
C03000 Supporto ABS / Fixed wall bracket
B00462 Doccia Paloma^{FLAT} in ABS
Paloma^{FLAT} ABS Handspray
A03045 Fless. ottone cm 125
D.Int. brass hose 125 cm

C03175 Paloma^{FLAT} set
C03000 Supporto ABS / Fixed wall bracket
B00462 Doccia Paloma^{FLAT} in ABS
Paloma^{FLAT} ABS Handspray
A00158 Fless. Cromolux cm 125
Cromolux nylon hose 125 cm

C98011 Paloma^{FLAT} set
C98000 Supporto ABS / Head bracket
B00462 Doccia Paloma^{FLAT} in ABS
Paloma^{FLAT} ABS Handspray
A03045 Fless. ottone cm 125
D.Int. brass hose 125 cm

C98012 Paloma^{FLAT} set
C98000 Supporto ABS / Head bracket
B00462 Doccia Paloma^{FLAT} in ABS
Paloma^{FLAT} ABS Handspray
A00158 Fless. Cromolux cm 125
Cromolux nylon hose 125 cm



LOW PRESSURE

PALOMA^{FLAT}

BASSA PRESSIONE / LOW PRESSURE

B00463

Doccia Paloma^{FLAT} in ABS

ABS Paloma^{FLAT} bidet Handspray



C03252 Paloma^{FLAT} ABS set

Bassa pressione / Low pressure

C03000 Supporto ABS / Fixed wall bracket

B00463 Doccia Paloma^{FLAT} LP

Paloma^{FLAT} LP Handspray

A03045 Fless. ottone cm 125

D.Int. brass hose 125 cm

C03251 Paloma^{FLAT} ABS set

Bassa pressione / Low pressure

C03000 Supporto ABS / Fixed wall bracket

B00463 Doccia Paloma^{FLAT} LP

Paloma^{FLAT} LP Handspray

A00158 Fless. Cromolux cm 125

Cromolux nylon hose 125 cm



A03045
Flessibile
ottone doppia
aggraffatura 1/2"
x 1/2" FF cono
liscio con gomma

*Double interlock
brass hose cm
125 conical nut
with rubber 1/2"FF*



E57500
STOP VALVE
Rubinetto d'arresto
da 1/2" M con
vitone a dischi di
ceramica

*1/2" M Stop valve
with ceramic discs
headwork*



PALOMA GOM

Bidet Handspray

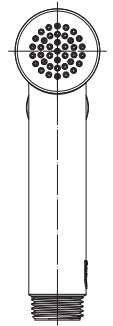
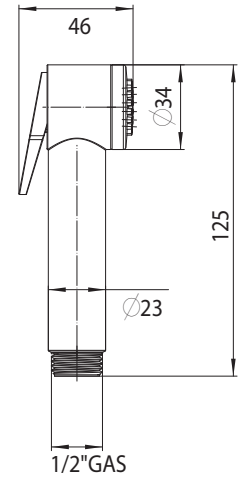


B00457

Doccia Paloma Gom in ABS
ABS Paloma Gom bidet Handspray



Rain Spray



C03265

Paloma Gom set
C03000 Supporto ABS / Fixed wall bracket
B00457 Doccia Paloma Gom in ABS
Paloma Gom ABS Handspray
A03045 Fless. ottone cm 125
D.Int. brass hose 125 cm

C03272

Paloma Gom set
C03000 Supporto ABS / Fixed wall bracket
B00457 Doccia Paloma Gom in ABS
Paloma Gom ABS Handspray
A00158 Fless. cromolux cm 125
Cromolux hose 125 cm



E57500 - STOP VALVE
Rubinetto d'arresto da 1/2" M con vitone a dischi di ceramica
1/2" M Stop valve with ceramic discs headwork



PALOMA AERATED Bidet Handspray

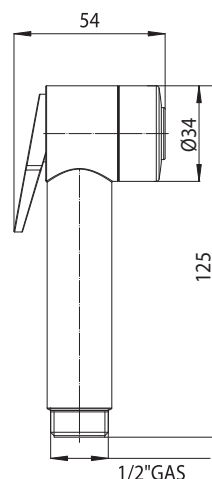


B01443

Doccia Paloma in ABS
ABS Paloma bidet Handspray



Aerated Spray



C03155 Paloma Aerated set
C03000 Supporto ABS / Fixed wall bracket
B01443 Paloma ABS getto aerato
Paloma ABS aerated Handspray
A03045 Fless. ottone cm 125
D.Int. brass hose 125 cm

C03157 Paloma Aerated set
C03000 Supporto ABS / Fixed wall bracket
B01443 Paloma ABS getto aerato
Paloma ABS aerated Handspray
A00158 Fless. cromolux cm 125
Cromolux hose 125 cm



A00158
Flessibile
Cromolux retinato
nylon 1/2" x 1/2"
FF cono liscio
con gomma

Cromolux nylon
reinforced hose,
cm 125 conical
1/2" FF



A03045
Flessibile
ottone doppia
aggraffatura 1/2"
x 1/2" FF cono
liscio con gomma

Double interlock
brass hose cm
125 conical nut
with rubber 1/2" FF

NIKITA / TALITA BRASS

Bidet Handspray



B00650

Doccia Nikita in ottone
Brass Nikita bidet Handspray



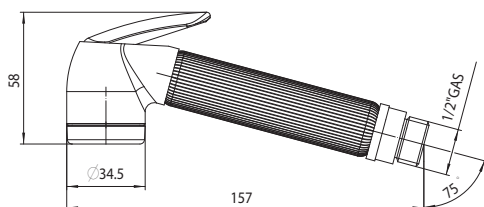
Rain Spray

C04045 Nikita set

C04000 Supporto doccia fisso
Fixed wall bracket
B00650 Doccia Nikita in ottone
Brass Nikita Handspray
A00045 Fless. ottone cm 125
D.Int. brass hose 125 cm

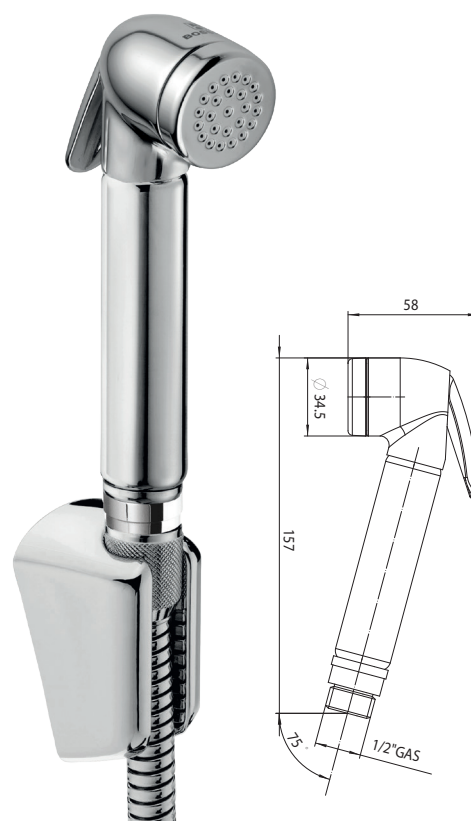
C04153 Nikita set

C04000 Supporto doccia fisso
Fixed wall bracket
B00650 Doccia Nikita in ottone
Brass Nikita Handspray
A00158 Fless. cromolux cm 125
Cromolux hose 125 cm



B00660

Doccia Talita in ottone
Brass Talita bidet handspray



C04050 Talita set

C04000 Supporto doccia fisso
Fixed wall bracket
B00660 Doccia Talita in ottone
Brass Talita Handspray
A00045 Fless. ottone cm 125
D.Int. brass hose 125 cm



E57500 - STOP VALVE

Rubinetto d'arresto da 1/2" M con vitone
a dischi di ceramica
*1/2" M Stop valve with ceramic discs
headwork*



E37008 Nikita set
 E37000 Miscelatore progressivo
Progressive mixer
 B00650 Doccia Nikita in ottone
Brass bidet Handspray
 A03045 Fless. ottone cm 125
D.Int. brass hose 125 cm



C69002 Nikita set
 C69000 Supporto con arresto acqua
Safety stop valve w/ shower holder
 B00650 Doccia Nikita in ottone
Brass bidet Handspray
 A05045 Fless. ottone cm 125
D.Int. brass hose 125 cm



E57002 Nikita set
 E57000 Rubinetto d'arresto
Stop valve
 B00650 Doccia Nikita in ottone
Brass bidet Handspray
 A03045 Fless. ottone cm 125
D.Int. brass hose 125 cm

NIKITA / TALITA GOM

Bidet Handspray

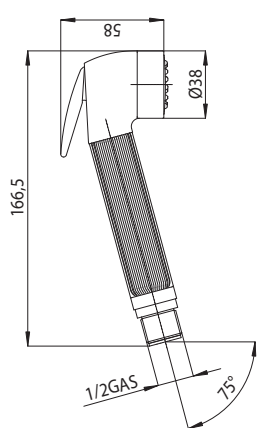


B00654
 Doccia Nikita-Gom in ottone
Brass Nikita-Gom bidet Handspray

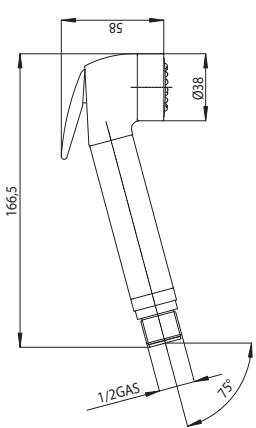


Rain Spray

- C04055** Nikita-Gom set
 C04000 Supporto doccia fisso
Fixed wall bracket
- B00654 Doccia Nikita-Gom in ottone
Brass Nikita-Gom Handspray
- A03045 Fless. ottone cm 125
D.Int. brass hose 125 cm



B00653
 Doccia Talita-Gom in ottone
Brass Talita-Gom bidet handspray



- C04056** Talita-Gom set
 C04000 Supporto doccia fisso
Fixed wall bracket
- B00653 Doccia Talita-Gom in ottone
Brass Talita-Gom Handspray
- A03045 Fless. ottone cm 125
D.Int. brass hose 125 cm



E57500 - STOP VALVE
 Rubinetto d'arresto da 1/2" M con vitone
 a dischi di ceramica
*1/2" M Stop valve with ceramic discs
 headwork*



GAIA-BRASS

Bidet Handspray



Soft Spray

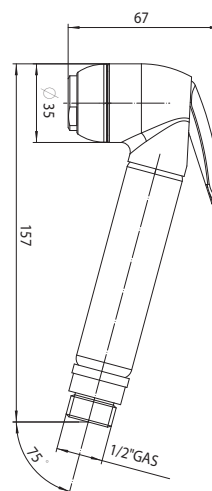
B00661

Doccia Gaia in ottone getto aerato
Brass Gaia bidet Handspray



5

L/min



- C04093** Gaia set
C04000 Supporto doccia fisso
Fixed wall bracket
B00661 Doccia Gaia in ottone
Brass Gaia Handspray
A03045 Fless. ottone cm 125
D.Int. brass hose 125 cm

ALEXA

Bidet Handspray



B00427

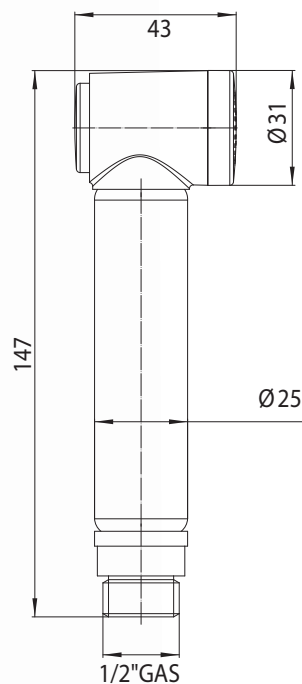
Doccia Alexa-Brass in ottone
Alexa-Brass bidet Handspray



Rain Spray

C03248 Alexa-Brass set

- C03000 Supporto doccia fisso
Fixed wall bracket
- B00427 Doccia Alexa-Brass in ottone
Alexa-Brass Handspray
- A00045 Fless. ottone cm 125
D.Int. brass hose 125 cm





DOCCE A PULSANTE IN ABS

ABS HANDSPRAY SETS

C03 Fixed ABS Bracket



PATTY

C03075

C03000

B00441

A00045



Supporto ABS
Fixed wall bracket
Doccia Patty in ABS
Patty ABS Handspray
Fless. ottone cm 125
D.Int. brass hose 125 cm



SARA

C03057

C03000

B00431

A00045



Supporto ABS
Fixed wall bracket
Doccia Sara in ABS
Sara ABS Handspray
Fless. ottone cm 125
D.Int. brass hose 125 cm

MISCELATORE PROGRESSIVO PROGRESSIVE MIXER

E37000

E38000



CLOSE/OFF



OPEN/ON



CLOSE/OFF



OPEN/ON

Vantaggi e Utilità

- L'apertura avviene in modalità acqua fredda e la temperatura dell'acqua aumenta ruotando la leva-supporto in senso antiorario fino ad arrivare alla sola erogazione dell'acqua calda.
- La forma della sede del supporto è sagomata e dimensionata in modo da consentire l'inserimento unilaterale dell'attacco conico della doccetta, ovvero la collocazione a riposo della stessa, solo quando il rubinetto è chiuso.

- Cartuccia progressiva con rotazione di 180°
- Pressione di esercizio minima 0,5 bar
- Pressione di esercizio massima 5 bar
- Regolatore di portata da 5 L/min applicato in uscita alla presa acqua
- Temperatura dell'acqua: max. 70°C

Advantages and Benefits

- When opening the mixer delivers cold water and the water temperature is increased as the knob-shower holder is turned counterclockwise until you get warm water.
- The shape of the shower holder is such that it allows the one-sided hook-up of the handspray conical connection, that is placing it in the holder only when the mixer is off.

- Progressive (cycle) cartridge with 180° rotation
- Minimum operating pressure 0.5 bar
- Maximum operating pressure 5.0 bar
- Built-in flow regulator upstream of the hose 5 L/min
- Water temperature: max 70°C



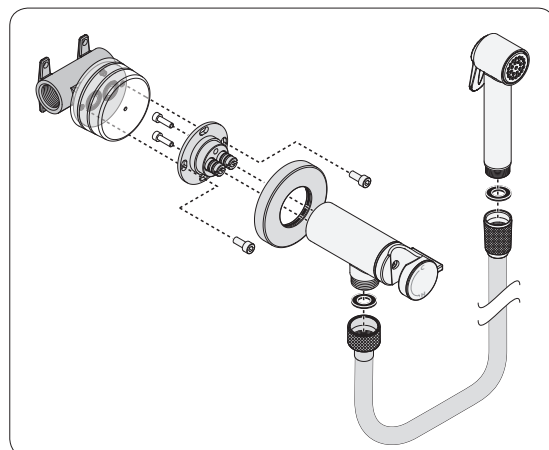
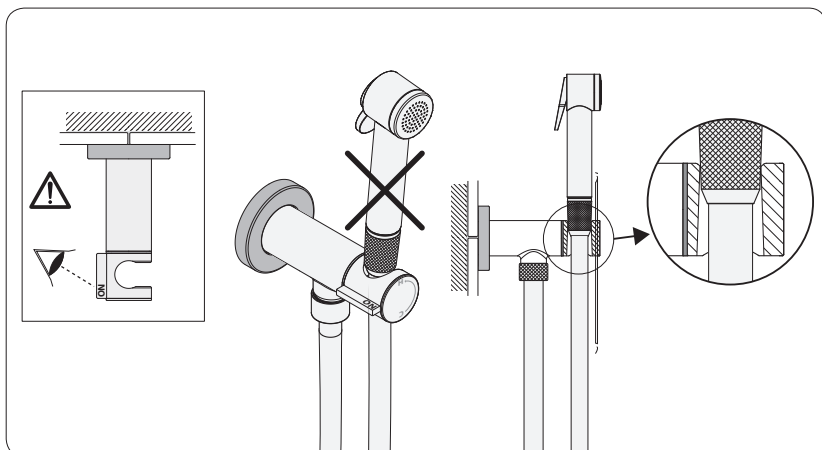
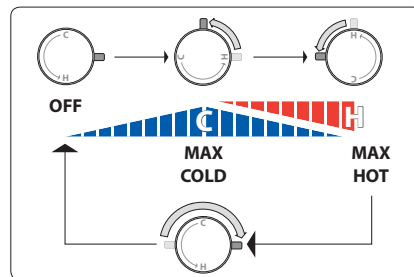
Mixer CLOSE/OFF



Mixer OPEN/ON



Mixer CLOSE/OFF



RUBINETTO D'ARRESTO STOP VALVE

E57000

Rubinetto d'arresto da 1/2" M con vitone a dischi di ceramica e supporto doccia girevole.

1/2" M Stop valve with ceramic discs headwork and swivelling shower bracket.

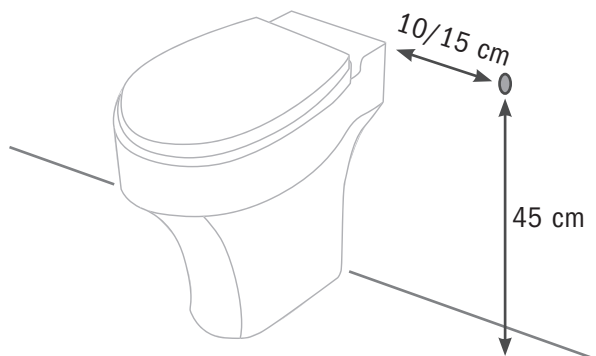
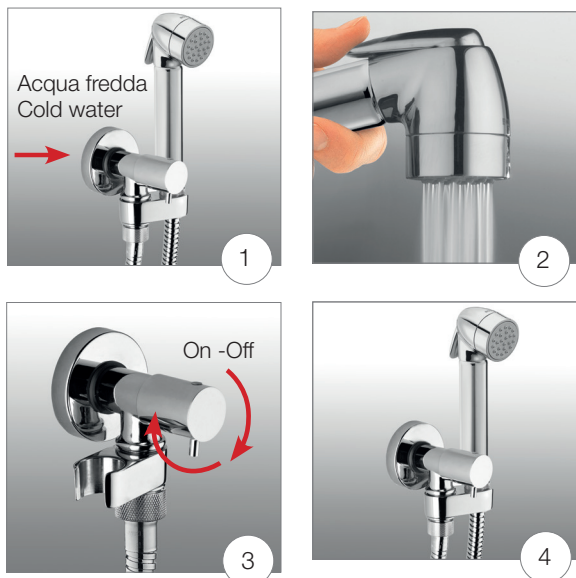


Funzionamento

Dopo aver aperto il rubinetto dell'acqua (dis.1) potete utilizzare la doccetta a pulsante (dis.2) mediante una leggera pressione della levetta. Dopo l'uso si raccomanda di chiudere sempre il rubinetto (dis.3), poiché la doccetta con pulsante d'arresto, non è concepita per consentire un arresto permanente dell'erogazione d'acqua, bensì solo temporaneo. Il corretto impiego della doccia è importante per salvaguardare il flessibile ed evitare rotture con possibili danni al vostro bagno.

Operation

After turning the tap on (fig.1), you can activate your handspray by pressing the head lever (fig.2). It is recommended to always turn-off the tap after use (fig.3). The handspray has not be considered a permanent water stop, as it has been conceived to give a temporary water-off only. A correct use of this handspray will prevent the hose from bursting and cause damages to your bathroom.



RUBINETTI D'ARRESTO

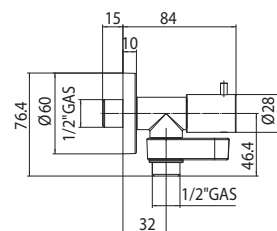
Stop Valves



E57000

Rubinetto d'arresto da 1/2" M con vitone a dischi di ceramica e supporto doccia girevole.

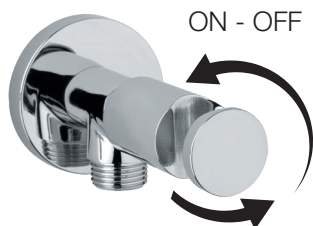
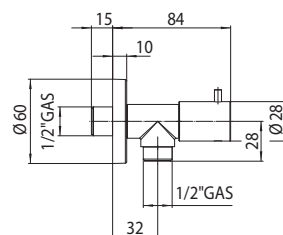
1/2" M Stop valve with ceramic discs headwork and swivelling shower bracket.



E57500

Rubinetto d'arresto da 1/2" M con vitone a dischi di ceramica.

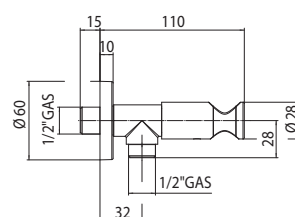
1/2" M Stop valve with ceramic discs headwork.



EA3000

Rubinetto d'arresto da 1/2" M con vitone a dischi di ceramica e supporto doccia.

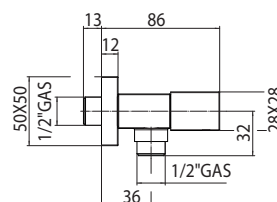
1/2" M Stop valve with ceramic discs headwork and shower bracket.



EA4000

Rubinetto d'arresto da 1/2" M con vitone a dischi di ceramica e supporto doccia girevole.

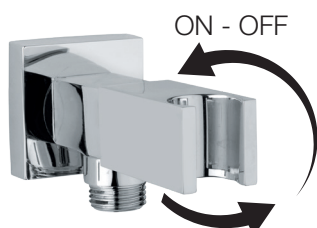
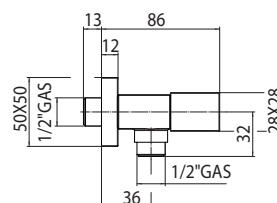
1/2" M Stop valve with ceramic discs headwork and swivelling shower bracket.



EA5000

Rubinetto d'arresto da 1/2" M con vitone a dischi di ceramica.

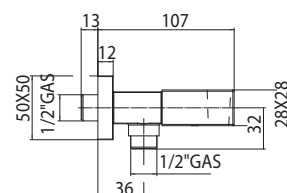
1/2" M Stop valve with ceramic discs headwork.



EA6000

Rubinetto d'arresto da 1/2" M con vitone a dischi di ceramica e supporto doccia.

1/2" M Stop valve with ceramic discs headwork and shower bracket.



PRESA ACQUA con valvola di sicurezza WATER SUPPLY flange with stop valve



C69005 - CB3001

Set completo di supporto 1/2" M con arresto acqua e flessibile ottone doppia aggraffatura (art. A05045).

Shower set including 1/2" M safety stop valve with shower holder and double interlock brass hose (art. A05045).



C69005



CB3001



A05045

- Su richiesta il supporto con arresto acqua è disponibile con valvola di non ritorno.
- Upon request the safety stop valve is also available with Non-Return valve.

Vantaggi e utilità

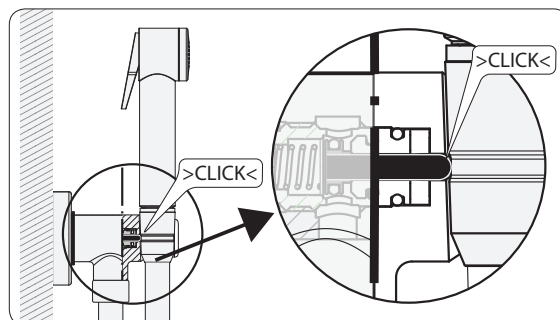
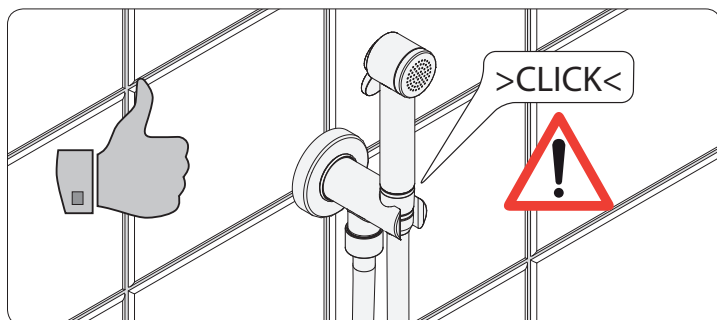
La presa d'acqua con valvola di sicurezza può essere collegata direttamente ad un punto di alimentazione d'acqua fredda. Dopo ogni utilizzo la doccetta deve essere riposizionata correttamente, con il raccordo del tubo flessibile inserito a fondo nella sede del supporto, affinché la valvola di arresto di sicurezza funzioni. (Vedi immagini). Nel caso di installazione in combinazione con un rubinetto d'arresto o di un miscelatori, anche questi dovranno essere chiusi dopo l'uso.

- Pressione di esercizio minima 0,5 bar
- Pressione di esercizio massima 5 bar
- Temperatura dell'acqua: max. 70°C

Advantages and benefits

The water outlet with safety stop valve can be installed directly to a cold water supply on the wall. After each use the handspray has to be positioned correctly with the hose nut inserted all the way down in the shower bracket, in order to ensure the water stop function works properly (see pictures). In case of installation of a water outlet in combination with a stop valve or a water mixer, they will also have to be turned off after each use.

- Minimum operating pressure 0.5 bar
- Maximum operating pressure 5.0 bar
- Water temperature: max 70°C



PRESA ACQUA A 2 VIE con pulsante d'arresto

2 WAYS SAFETY with dual outlet and ON-OFF button



C89005 / C84005

Supporto presa acqua con valvola di sicurezza e doppia alimentazione: attacco 1/2" M per doccia e attacco 3/8" M o 1/2" M con pulsante arresto per alimentazione al punto acqua esistente della cassetta di scarico WC esterna. Completo con flessibile ottone DA art. A05045.

1/2" M Safety stop valve with shower holder and dual water supply: 1/2" M connection to the handspray and 3/8" M or 1/2" M connection with on-off button to be connected to the existing water supply of exposed WC cistern. It includes Double interlock brass hose art. A05045.



3/8" M
1/2" M



C89005 1/2" M x 1/2" M x 3/8" M

A05045

C84005 1/2" M x 1/2" M x 1/2" M

Raccomandazione

La speciale presa acqua a due vie con pulsante arresto si collega ad un punto di alimentazione d'acqua fredda preesistente come, ad esempio, quello per la cassetta di scarico del WC. Il set doccia non comprende flessibile di alimentazione acqua fredda per cassetta WC, o lavabo.

Su richiesta il supporto con arresto acqua è disponibile con valvola di non ritorno. La valvola di sicurezza integrata nel supporto doccia è concepita per prevenire la rottura del tubo flessibile e funziona esclusivamente quando la doccia è inserita nel suo supporto. Il pulsante chiude l'alimentazione d'acqua alla cassetta WC, in caso di interventi di manutenzione.

Warning

The special safety stop valve with dual outlet and on-off button can be connected to a pre-existing cold wall inlet, such as the one for exposed WC cistern. The shower set does not include the cold water supply hose to WC cistern, or wash basin.

Upon request the safety stop valve is also available with non return valve. The safety stop valve built in the shower bracket is conceived to prevent the hose from bursting and it only works when the handspray is hooked in place onto its bracket. The on-off button allows to turn the water supply to WC cistern off when maintenance is needed.



1



2



3



4



C89001 Paloma set
C89000
B00442
A05045
Presa acqua c/stop 2 uscite
2 ways safety stop valve
Doccia Paloma / Handspray
Flessibile cm 125
D.Int. brass hose 125 cm



C89004 Nikita set
C89000
B00650
A05045
Presa acqua c/stop 2 uscite
2 ways safety stop valve
Doccia Nikita / Handspray
Flessibile cm 125
D.Int. brass hose 125 cm

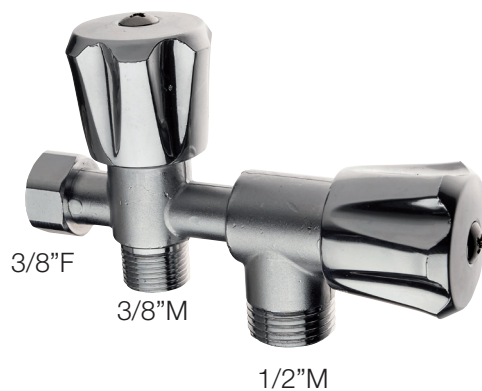
RUBINETTO per connessione cassetta WC - 2 USCITE INDIPENDENTI STOP VALVE for connection WC cistern - 2 INDEPENDENT OUTLETS



E44000

Rubinetto a due vie indipendenti per connessione alla cassetta di scarico WC 3/8" F

Two independent outlets stop valve for connection F3/8" to WC cistern



V00095

Raccordo ottone M 1/2" x 1/2" con valvola non ritorno

Supply connection, brass adapter M 1/2" x 1/2" with non return valve



Raccomandazione

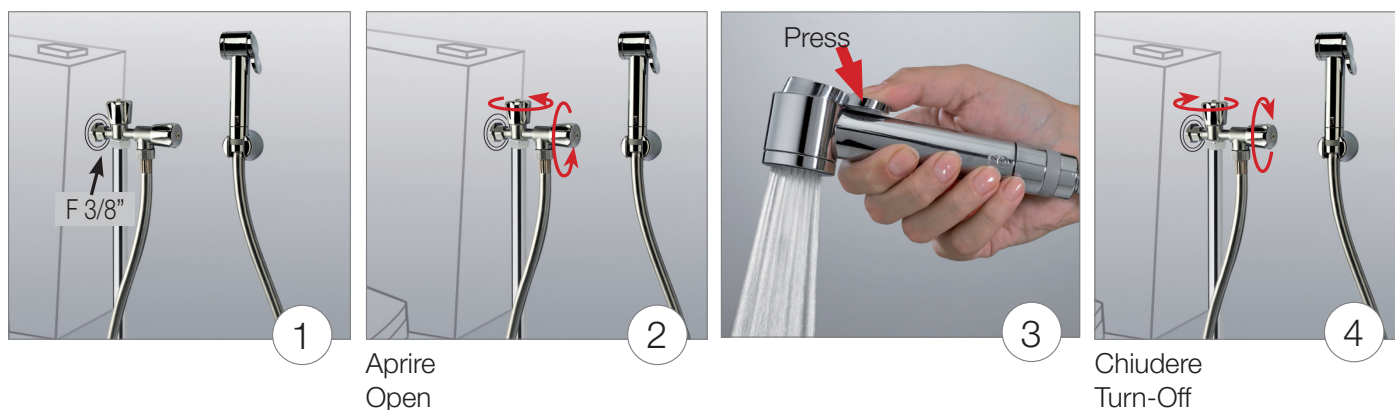
Per prevenire il rischio di scoppio del tubo flessibile che alimenta la doccia, si raccomanda di chiudere sempre il pulsante di arresto dell'attacco by-pass dopo l'uso.

- Pressione di esercizio massima 5 bar
- Temperatura dell'acqua: max. 70°C

Warning

To prevent the hose feeding the handspray from bursting, it is recommended to always turn the button of by-pass connection in the off position, after use.

- Maximum operating Pressure 5.0 bar
- Water temperature: max 70°C



Istruzioni di manutenzione

Care instructions

PER LA PULIZIA

Gentile Cliente,
ci complimentiamo con lei per aver scelto un prodotto Bossini e la ringraziamo per la fiducia accordataci. Per conservare il più a lungo possibile l'aspetto del materiale, è necessario osservare alcune regole.

Per la pulizia parti metalliche: l'acqua contiene calcio che si deposita sulla superficie dei prodotti e forma macchie sgradevoli. Per la normale pulizia del prodotto è sufficiente utilizzare un panno umido con un po' di sapone, sciacquare ed asciugare. E' possibile quindi evitare la formazione di macchie di calcare asciugandolo dopo ogni uso.

Nota importante: si consiglia di usare solamente detergenti a base di sapone. Non impiegare mai detergenti o disinfettanti abrasivi o contenenti alcool, acido cloridrico o acido fosforico.

Caro cliente, le ricordiamo che, la garanzia sulla superficie dei nostri prodotti non è valida se, il materiale ha subito un trattamento diverso da quello da noi suggerito.

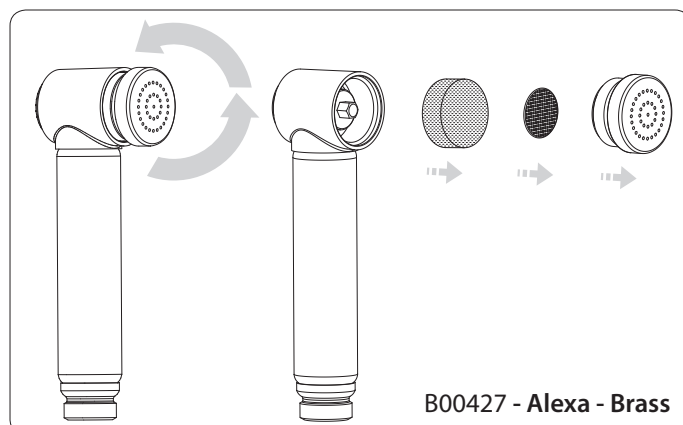
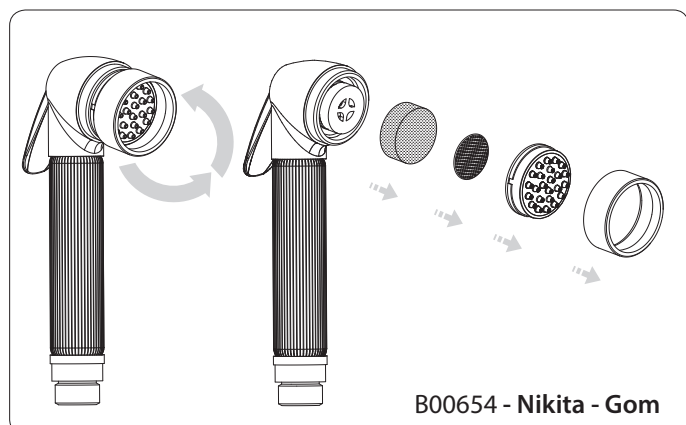
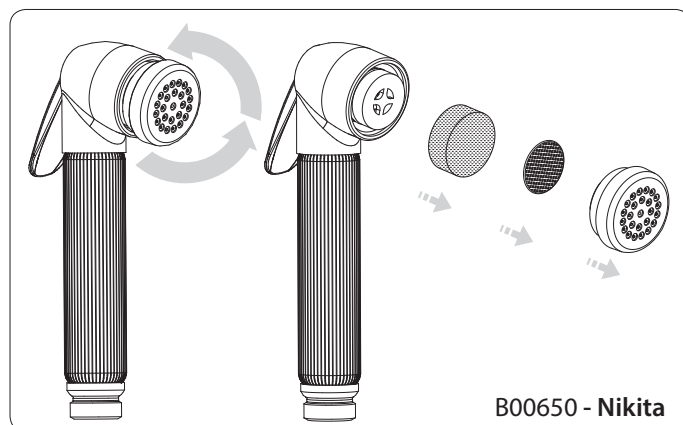
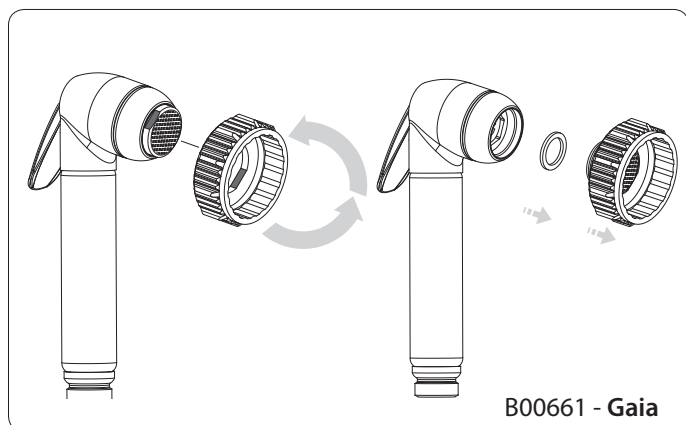
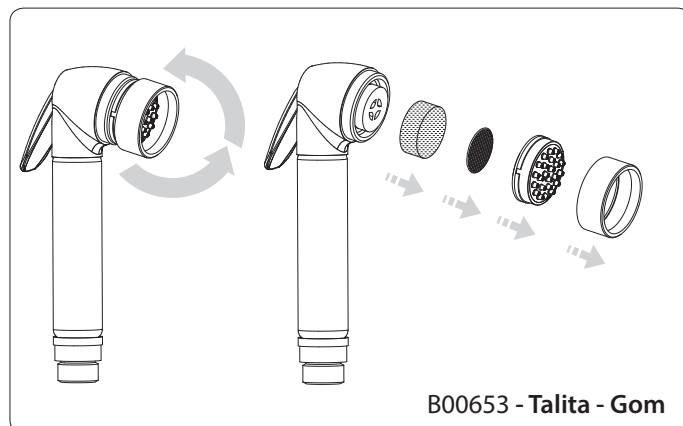
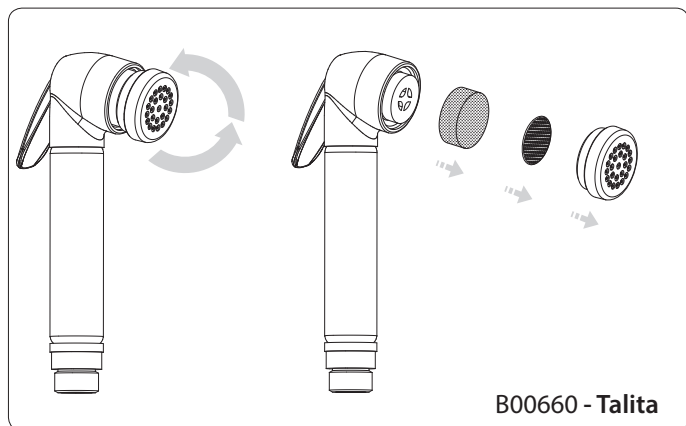
CLEANING

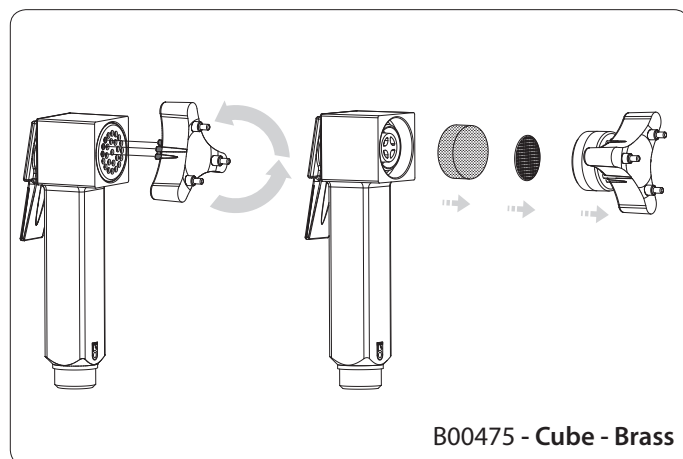
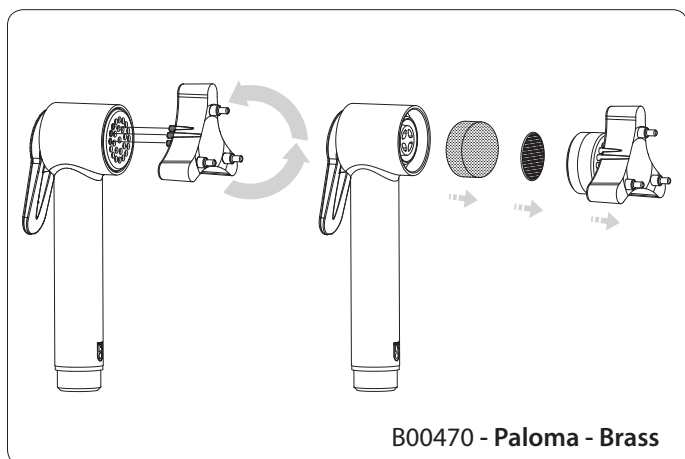
Dear Customer,
Congratulations for choosing a Bossini product and we thank you for the trust you have given us. To keep the material's appearance as long as possible, a few guidelines must be followed.

Cleaning metal parts: water contains calcium that deposits on surfaces and forms unpleasant spots. For routine cleaning, simply use a damp cloth with a little soap, rinse and dry. Calcium spots can therefore be avoided by drying after use.

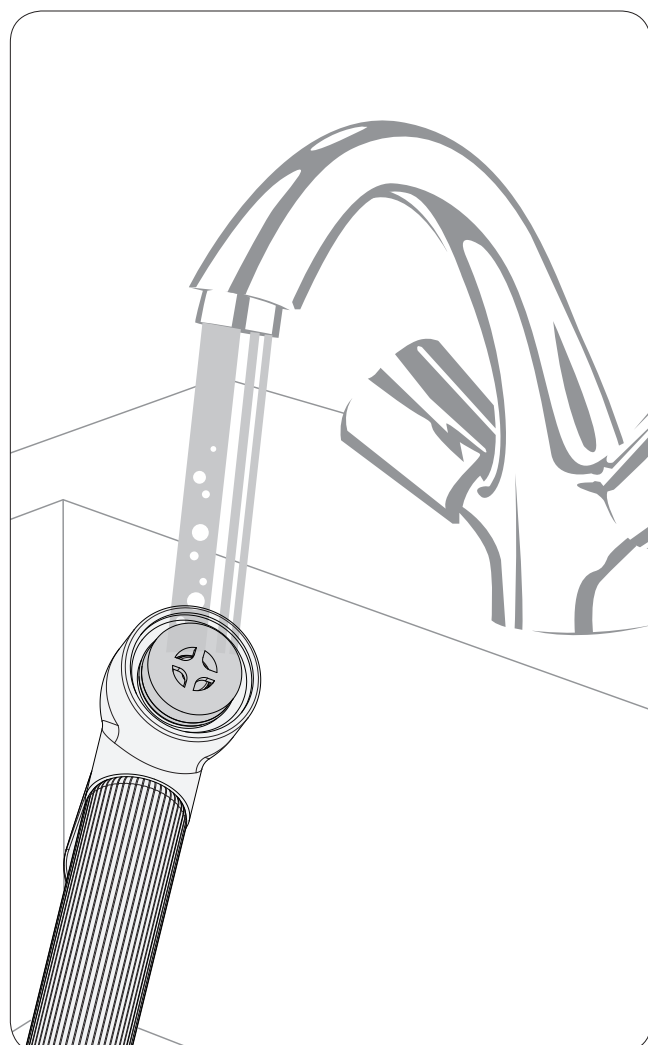
Important note: Using only a soap-based detergent is recommended. Never use abrasive detergents or disinfectants or those containing alcohol, hydrochloric acid or phosphoric acid.

Dear Customer, we would like to remind you that the warranty on our product's surface is not valid if the material undergoes treatment different than that suggested.





Immergere in acqua e aceto (50% + 50%) per favorire l'eliminazione di calcare ed eventuali impurità
 Immerse in a solution water and vinegar (50%+50%) in order to facilitate the removal of limestone and other impurities
 In einer Lösung Wasser und Essig (50% + 50%) tauchen, um die Entfernung von Kalk und anderen Verunreinigungen zu erleichtern
 Plonger dans une solution d'eau et de vinaigre (50% + 50%) afin de faciliter l'élimination du calcaire et d'autres impuretés
 Sumergir en una solución agua y vinagre (50% + 50%) para facilitar la remoción de caliza y otras impurezas
 Погрузить в раствор воды и уксуса (50%+50%) для удаления образований и возможных загрязнений



PORTATE D'ACQUA DOCCE - Handshowers flow rates - Handbrausendurchflussmenge

Débit d'eau douchettes - Caudales mangos de ducha Пропускная способность душевых леек

Test di portata conformi ai requisiti della norma EN1112, con collegamento diretto a tubo di alimentazione da 1/2" (senza rubinetto)

Flow rate tests in accordance with requirements of EN1112 Norm, directly connecting the product to a 1/2" water outlet (without tap)

Test der Wasserdurchflussmenge der Anforderungen der EN1112 Norm entspricht (1/2" direkter Wasseranschluss, ohne Armatur)

Tests de débit d'eau conformes aux requis de la Norme EN1112, avec connexion directe au tuyau d'alimentation de 1/2" (sans robinet)

Pruebas de caudal conformes con los requerimientos de la Norma EN1112, con empalme directo al tubo de alimentación de 1/2" (sin grifo)

Тест на пропускную способность согласно требованиям стандартов EN1112, при подключении водоснабжения к душевой лейке напрямую, соединение 1/2" (без вентиля)

(*)

PORTATA MINIMA CONSIGLIATA (Litri/Minuto) per l'ottimale funzionamento dei prodotti

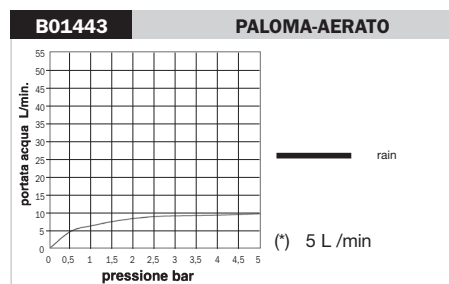
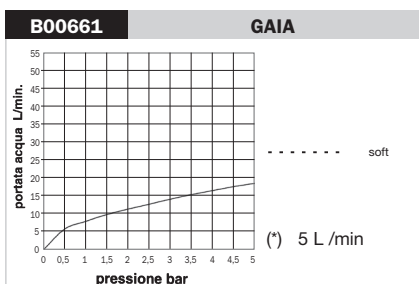
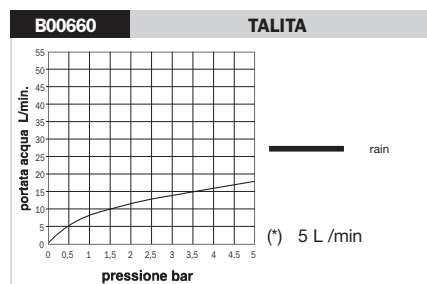
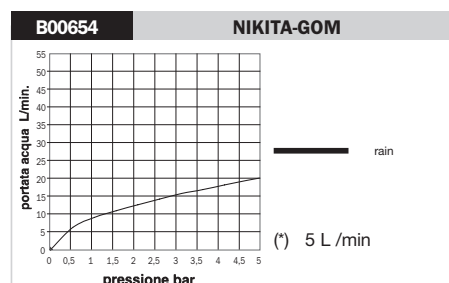
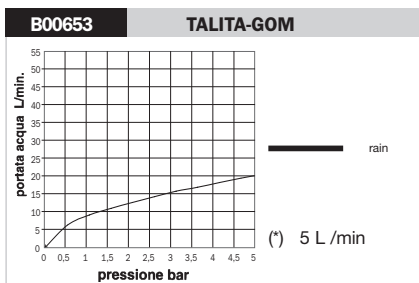
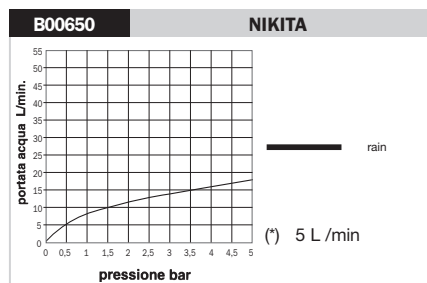
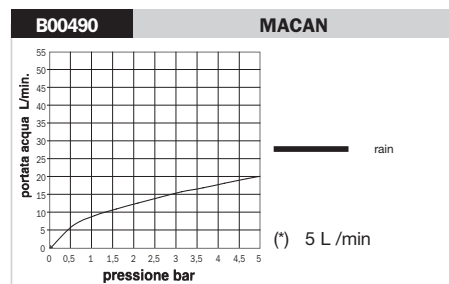
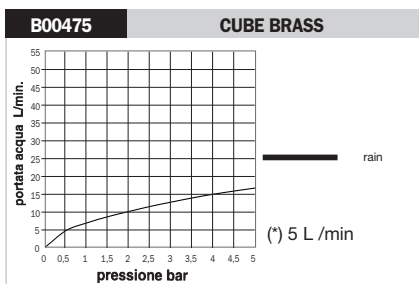
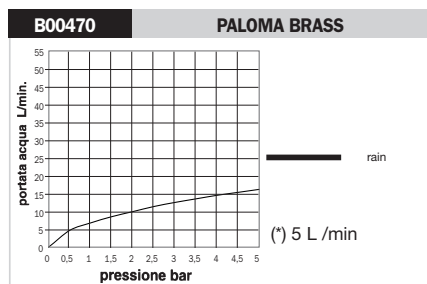
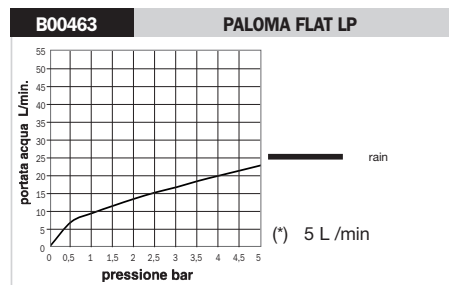
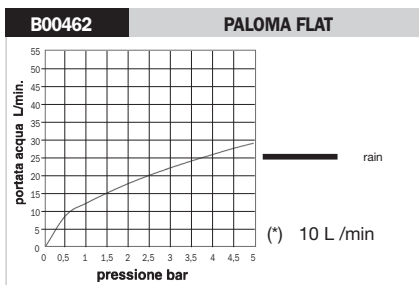
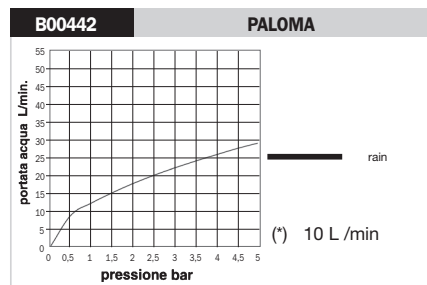
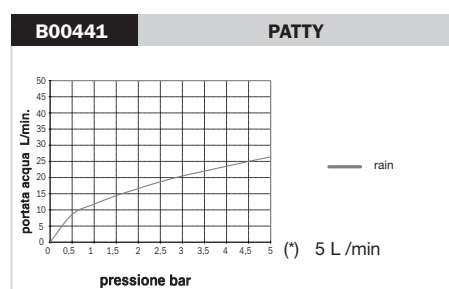
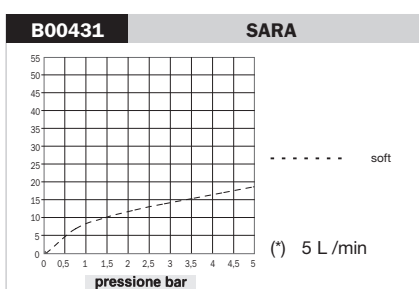
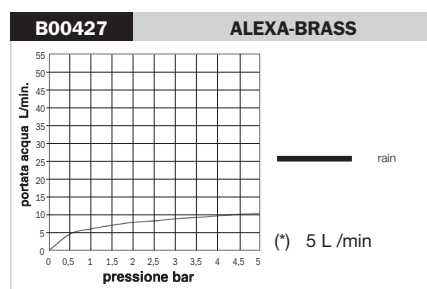
MINIMUM SUGGESTED FLOW RATE (Litres/Minute) for the correct products functioning

MINDEST WASSERDURCHFLOSSMENGE (Liter/Minute) für die korrekte Produktenleistung

DÉBIT D'EAU MINIMAL RECOMMANDÉ (Litres/Minute) pour le correct fonctionnement des produits

CAUDAL MÍNIMO ACONSEJADO (Litros/Minuto) para el correcto funcionamiento de los productos

РЕКОМЕНДУЕМЫЙ МИНИМУМ ВОДОСНАБЖЕНИЯ (Литры/Минута) для оптимального функционирования





BOSSINI SPA

Sede amministrativa / Head office:
25014 Castenedolo (Brescia) Italy
Via G. Matteotti, 170/A
Tel. +39 030 2134 211
Fax +39 030 2134 290
+39 030 2134 291

info@bossini.it
www.bossini.it

BOSSINI
HIGH QUALITY
SHOWER SYSTEMS

MADE IN ITALY

XCAT083000000 - Bidet handsprays 2020.
L'azienda si riserva in qualsiasi momento la facoltà di apportare tutte le modifiche necessarie al miglioramento estetico e qualitativo del prodotto.
The company reserves the right to make all the necessary changes for the purpose of constant improvement of quality, with no obligation to give prior notice.