

	SCHEDA TECNICA TECHNICAL SHEET	Date: 09/07/2018	Rev/0

Codice / Code: H93405G	Descrizione / description: Braccio doccia in ottone Ø 28 x 300 mm 1/2"MM con sistema di deviazione integrato, soffione Oki Ø 200 mm , doccia Zen, supporto fisso e flessibile doppia aggaffatura cm 150 <i>Brass arm Ø 28 x 300 mm 1/2"MM with integrated diverter system, Oki Ø 200 mm showerhead, Zen handshower, fixed bracket, double interlock brass hose cm 150</i>
---	--


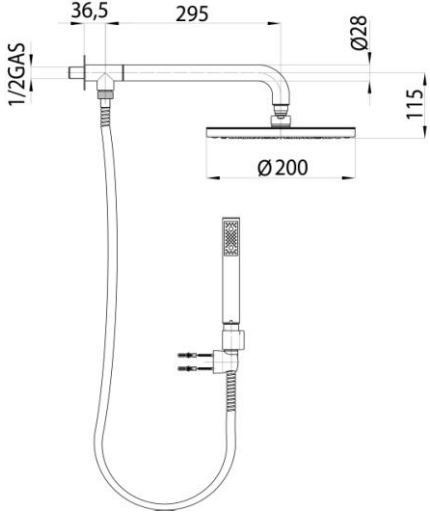
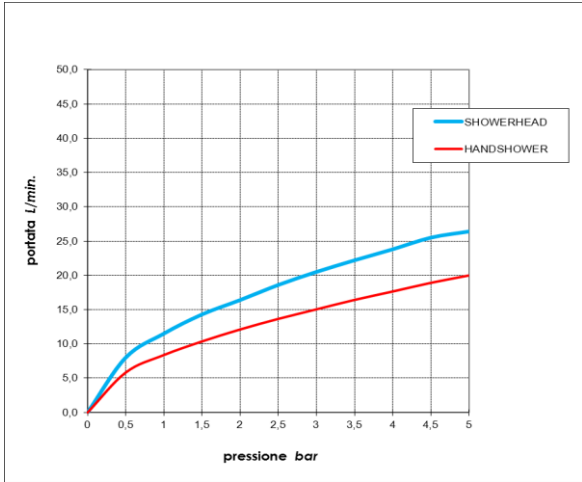
Foto / image 	Disegni / drawings 
--	---

Grafico di portata / Flow rate diagram																																								
<table border="1"> <thead> <tr> <th></th> <th>SHOWERHEAD</th> <th>HANDSHOWER</th> </tr> </thead> <tbody> <tr><td>0</td><td>0,0</td><td>0,0</td></tr> <tr><td>0,5</td><td>8,0</td><td>5,8</td></tr> <tr><td>1</td><td>11,5</td><td>8,4</td></tr> <tr><td>1,5</td><td>14,3</td><td>10,4</td></tr> <tr><td>2</td><td>16,4</td><td>12,1</td></tr> <tr><td>2,5</td><td>18,6</td><td>13,7</td></tr> <tr><td>3</td><td>20,5</td><td>15,0</td></tr> <tr><td>3,5</td><td>22,2</td><td>16,4</td></tr> <tr><td>4</td><td>23,8</td><td>17,7</td></tr> <tr><td>4,5</td><td>25,5</td><td>18,9</td></tr> <tr><td>5</td><td>26,4</td><td>20,0</td></tr> <tr> <td>pressione bar</td> <td colspan="2">portata L/min</td> </tr> </tbody> </table>		SHOWERHEAD	HANDSHOWER	0	0,0	0,0	0,5	8,0	5,8	1	11,5	8,4	1,5	14,3	10,4	2	16,4	12,1	2,5	18,6	13,7	3	20,5	15,0	3,5	22,2	16,4	4	23,8	17,7	4,5	25,5	18,9	5	26,4	20,0	pressione bar	portata L/min		
	SHOWERHEAD	HANDSHOWER																																						
0	0,0	0,0																																						
0,5	8,0	5,8																																						
1	11,5	8,4																																						
1,5	14,3	10,4																																						
2	16,4	12,1																																						
2,5	18,6	13,7																																						
3	20,5	15,0																																						
3,5	22,2	16,4																																						
4	23,8	17,7																																						
4,5	25,5	18,9																																						
5	26,4	20,0																																						
pressione bar	portata L/min																																							

MATERIALI / materials	
Braccio doccia H93000: Ottone; Deviatore: Ottone, Plastica (ABS); Soffione I00405: Acciaio inox, Plastica (POM), Ottone, Gomma (EPDM); Doccia B00250: Ottone, Plastica (ABS, POM, Nylon), Silicene; Flessibile A03045: Ottone, Gomma, PVC;	
Arm H93000: Brass; Diverter: Brass, Plastic (ABS); Shower head I00405: Stainless Steel, Plastic (POM), Brass, Rubber (EPDM); Handshower B00250: Brass, Plastic (ABS, POM, Nylon), Silicone; Hose A03045: Brass, Rubber, PVC;	

CARATTERISTICHE IDRAULICHE / hydraulic features					
	pressione pressure	portata flow rate	temperatura temperature	<i>solo per miscelatori termostatici</i> <i>only for thermostatic mixers</i>	
min	1 bar	/	/	Blocco di sicurezza safety lock	/
max	5 bar	/	<70°C	Temperatura acqua fredda cold water temperature	/
consigliata recommended	2-3 bar	9 L/min	/	Temperatura acqua calda hot water temperature	/

CERTIFICAZIONI / CERTIFICATIONS:	
Handshower B00250, Showerhead I00405: ACS (France), CSA, IAPMO[ASME A112.18.1/CSA B125.1](CAN/USA), NF [EN 1112] (FRA), Watermark [AS/NZS 3662:2005] (AUS); Hose A03045: ACS (France), NF [EN 1113] (FRA);	
CONFORMITA' / CONFORMITY .	
Chrome plating - EN 248	