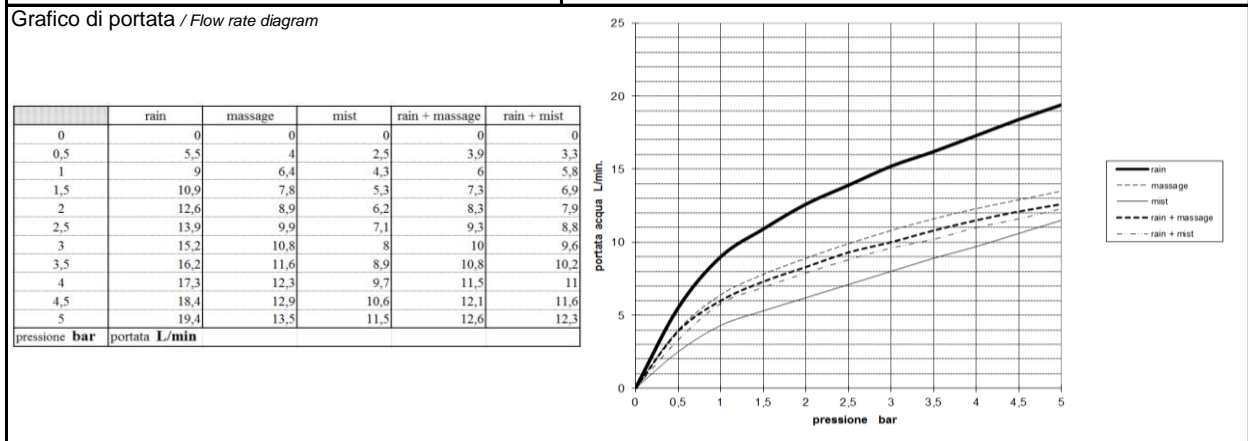
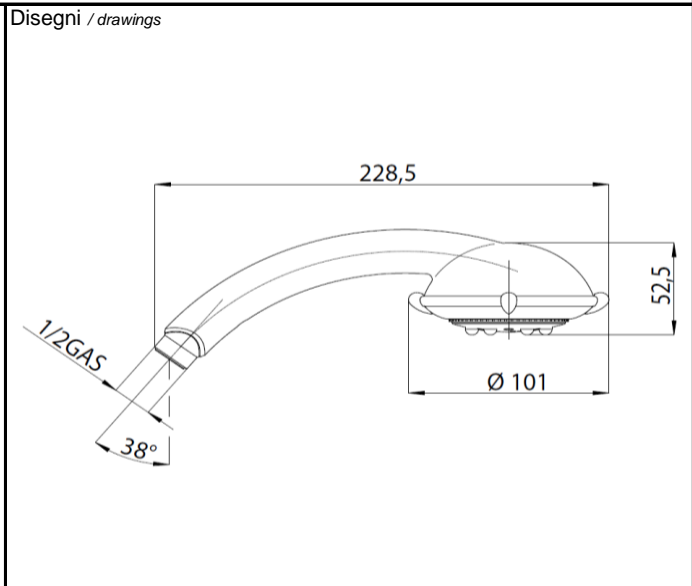


	SCHEDA TECNICA TECHNICAL SHEET	Date: 18/07/2017	Rev/0

Codice / Code: B00075	Descrizione / description: Doccia 5 getti 5 function handshower
--	--



MATERIALI / materials

ABS, Silicone, Nbr, Acetal

CARATTERISTICHE IDRAULICHE / hydraulic features

	pressione pressure	portata flow rate	temperatura temperature	solo per miscelatori termostatici only for thermostatic mixers	
min	1 bar	--	--	Blocco di sicurezza safety lock	/
max	5 bar	--	<70°C	Temperatura acqua fredda cold water temperature	/
consigliata recommended	2-3 bar	--	<42°C	Temperatura acqua calda hot water temperature	/

CERTIFICAZIONI / CERTIFICATIONS:
 ACS(FRA), NF [EN 1112] (FRA), WATERMARK [AS/NZS 3662:2005] (AUS), WELS PUB [1 thick] (SGP), CSA [ASME A112.18.1/CSA B125.1](CAN/USA), IAPMO [ASME A112.18.1/CSA B125.1] (USA/CAN).

CONFORMITA' / CONFORMITY :
 Chrome plating - EN 248.