
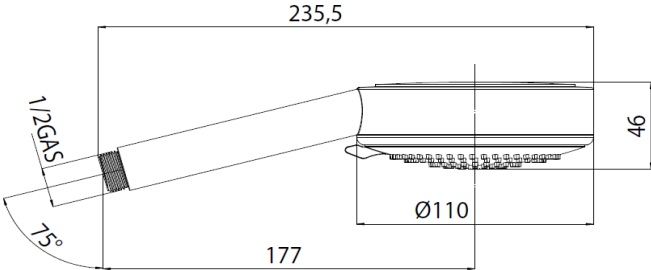
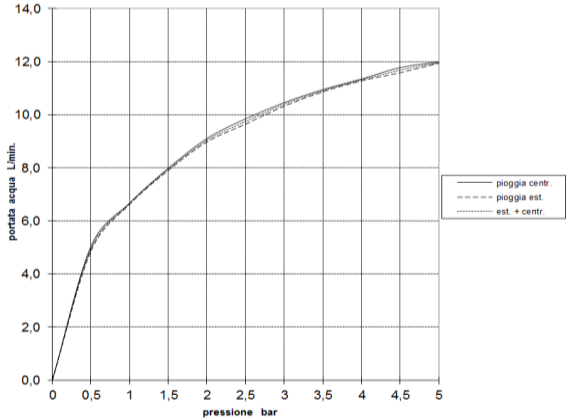


BOSSINI		SCHEDA TECNICA TECHNICAL SHEET		Date: 18/07/2017	Rev/0																																																
<b>Codice / Code:</b> <b>B00171</b>		<b>Descrizione / description:</b> Doccia 3 getti Ø 110 mm 3 function handshower Ø 110 mm																																																			
<b>Foto / image</b>		<b>Disegni / drawings</b>																																																			
																																																					
<b>Grafico di portata / Flow rate diagram</b>																																																					
<table border="1"> <thead> <tr> <th></th> <th>pioggia centr.</th> <th>pioggia est.</th> <th>est. + centr.</th> </tr> </thead> <tbody> <tr><td>0</td><td>0,0</td><td>0,0</td><td>0,0</td></tr> <tr><td>0,5</td><td>5,0</td><td>4,9</td><td>5,0</td></tr> <tr><td>1</td><td>6,7</td><td>6,6</td><td>6,7</td></tr> <tr><td>1,5</td><td>8,0</td><td>7,9</td><td>8,0</td></tr> <tr><td>2</td><td>9,1</td><td>9,0</td><td>9,0</td></tr> <tr><td>2,5</td><td>9,9</td><td>9,7</td><td>9,8</td></tr> <tr><td>3</td><td>10,5</td><td>10,3</td><td>10,4</td></tr> <tr><td>3,5</td><td>11,0</td><td>10,9</td><td>10,9</td></tr> <tr><td>4</td><td>11,4</td><td>11,3</td><td>11,3</td></tr> <tr><td>4,5</td><td>11,8</td><td>11,6</td><td>11,7</td></tr> <tr><td>5</td><td>12,0</td><td>11,9</td><td>12,0</td></tr> </tbody> </table>			pioggia centr.	pioggia est.	est. + centr.	0	0,0	0,0	0,0	0,5	5,0	4,9	5,0	1	6,7	6,6	6,7	1,5	8,0	7,9	8,0	2	9,1	9,0	9,0	2,5	9,9	9,7	9,8	3	10,5	10,3	10,4	3,5	11,0	10,9	10,9	4	11,4	11,3	11,3	4,5	11,8	11,6	11,7	5	12,0	11,9	12,0				
	pioggia centr.	pioggia est.	est. + centr.																																																		
0	0,0	0,0	0,0																																																		
0,5	5,0	4,9	5,0																																																		
1	6,7	6,6	6,7																																																		
1,5	8,0	7,9	8,0																																																		
2	9,1	9,0	9,0																																																		
2,5	9,9	9,7	9,8																																																		
3	10,5	10,3	10,4																																																		
3,5	11,0	10,9	10,9																																																		
4	11,4	11,3	11,3																																																		
4,5	11,8	11,6	11,7																																																		
5	12,0	11,9	12,0																																																		
pressione <b>bar</b> portata <b>L/min</b>																																																					
<b>MATERIALI / materials</b>																																																					
ABS, Silicone, Nbr, Acetal																																																					
<b>CARATTERISTICHE IDRAULICHE / hydraulic features</b>																																																					
	pressione pressure	portata flow rate	temperatura temperature	solo per miscelatori termostatici only for thermostatic mixers																																																	
min	<b>1 bar</b>	--	--	Blocco di sicurezza safety lock	/																																																
max	<b>5 bar</b>	--	<b>&lt;70°C</b>	Temperatura acqua fredda cold water temperature	/																																																
consigliata recommended	<b>2-3 bar</b>	--	<b>&lt;42°C</b>	Temperatura acqua calda hot water temperature	/																																																
<b>CERTIFICAZIONI / CERTIFICATIONS:</b>																																																					
ACS(FRA), WATERMARK [AS/NZS 3662:2005] (AUS), WELS PUB [1 thick] (SGP), CSA [ASME A112.18.1/CSA B125.1](CAN/USA), IAPMO [ASME A112.18.1/CSA B125.1] (USA/CAN).																																																					
<b>CONFORMITA' / CONFORMITY :</b>																																																					
Chrome plating - EN 248.																																																					