

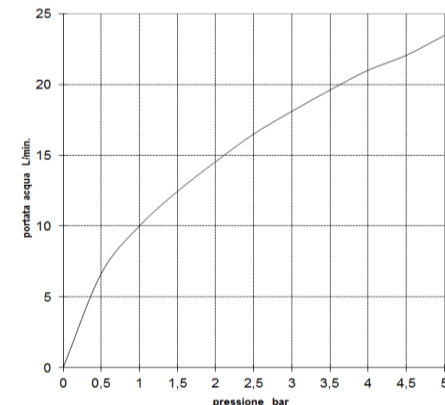


BOSSINI		SCHEDA TECNICA TECHNICAL SHEET		Date: 20/07/2017	Rev/0																								
Codice / Code: B00252		Descrizione / description: Doccia monogetto in ottone Single function Brass handshower																											
Foto / image		Disegni / drawings																											
																													
Grafico di portata / Flow rate diagram																													
<table border="1"> <thead> <tr> <th></th> <th>rain</th> </tr> </thead> <tbody> <tr><td>0</td><td>0</td></tr> <tr><td>0,5</td><td>6,65</td></tr> <tr><td>1</td><td>10</td></tr> <tr><td>1,5</td><td>12,45</td></tr> <tr><td>2</td><td>14,55</td></tr> <tr><td>2,5</td><td>16,5</td></tr> <tr><td>3</td><td>18,1</td></tr> <tr><td>3,5</td><td>19,6</td></tr> <tr><td>4</td><td>21</td></tr> <tr><td>4,5</td><td>22,05</td></tr> <tr><td>5</td><td>23,45</td></tr> </tbody> </table>			rain	0	0	0,5	6,65	1	10	1,5	12,45	2	14,55	2,5	16,5	3	18,1	3,5	19,6	4	21	4,5	22,05	5	23,45				
	rain																												
0	0																												
0,5	6,65																												
1	10																												
1,5	12,45																												
2	14,55																												
2,5	16,5																												
3	18,1																												
3,5	19,6																												
4	21																												
4,5	22,05																												
5	23,45																												
pressione bar portata L/min																													
MATERIALI / materials																													
Brass, Silicone, Nbr, Acetal																													
CARATTERISTICHE IDRAULICHE / hydraulic features																													
	pressione pressure	portata flow rate	temperatura temperature	solo per miscelatori termostatici only for thermostatic mixers																									
min	1 bar	--	--	Blocco di sicurezza safety lock	/																								
max	5 bar	--	<70°C	Temperatura acqua fredda cold water temperature	/																								
consigliata recommended	2-3 bar	--	<42°C	Temperatura acqua calda hot water temperature	/																								
CERTIFICAZIONI / CERTIFICATIONS: WATERMARK [AS/NZS 3662:2005] (AUS)																													
CONFORMITA' / CONFORMITY : Chrome plating - EN 248.																													