
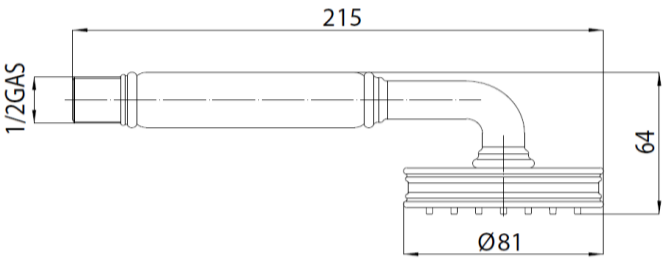
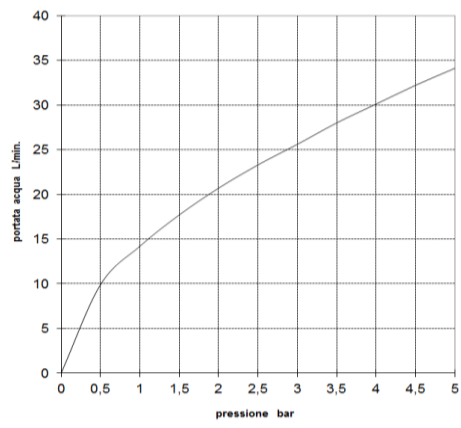


BOSSINI		SCHEDA TECNICA TECHNICAL SHEET		Date: 25/07/2017	Rev/0																								
Codice / Code: B00750		Descrizione / description: Doccia Liberty-Gom monogetto autopulente in ottone Liberty-Gom Brass single function handshower Easy-Clean																											
Foto / image		Disegni / drawings																											
																													
Grafico di portata / Flow rate diagram																													
<table border="1"> <thead> <tr> <th></th> <th>rain</th> </tr> </thead> <tbody> <tr><td>0</td><td>0</td></tr> <tr><td>0,5</td><td>9,9</td></tr> <tr><td>1</td><td>14,2</td></tr> <tr><td>1,5</td><td>17,7</td></tr> <tr><td>2</td><td>20,7</td></tr> <tr><td>2,5</td><td>23,3</td></tr> <tr><td>3</td><td>25,6</td></tr> <tr><td>3,5</td><td>28</td></tr> <tr><td>4</td><td>30,1</td></tr> <tr><td>4,5</td><td>32,2</td></tr> <tr><td>5</td><td>34,1</td></tr> </tbody> </table>			rain	0	0	0,5	9,9	1	14,2	1,5	17,7	2	20,7	2,5	23,3	3	25,6	3,5	28	4	30,1	4,5	32,2	5	34,1				
	rain																												
0	0																												
0,5	9,9																												
1	14,2																												
1,5	17,7																												
2	20,7																												
2,5	23,3																												
3	25,6																												
3,5	28																												
4	30,1																												
4,5	32,2																												
5	34,1																												
pressione bar portata L/min																													
MATERIALI / materials																													
ABS, Silicone, Nbr, Acetal																													
CARATTERISTICHE IDRAULICHE / hydraulic features																													
	pressione pressure	portata flow rate	temperatura temperature	solo per miscelatori termostatici only for thermostatic mixers																									
min	1 bar	--	--	Blocco di sicurezza safety lock	/																								
max	5 bar	--	<70°C	Temperatura acqua fredda cold water temperature	/																								
consigliata recommended	2-3 bar	--	<42°C	Temperatura acqua calda hot water temperature	/																								
CERTIFICAZIONI / CERTIFICATIONS:																													
ACS(FRA), NF [EN 1112] (FRA), IAPMO [ASME A112.18.1/CSA B125.1] (USA/CAN).																													
CONFORMITA' / CONFORMITY :																													
Chrome plating - EN 248.																													