
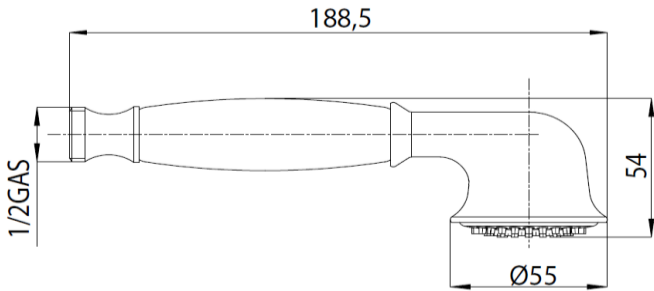
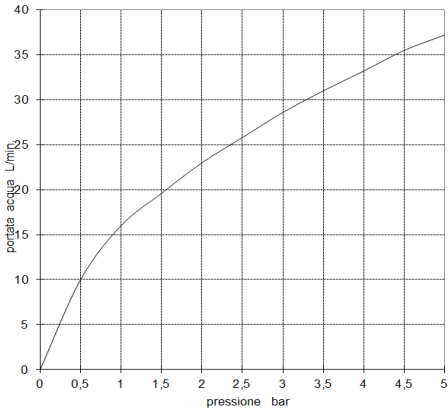


BOSSINI		SCHEDA TECNICA TECHNICAL SHEET		Date: 28/07/2017	Rev/0																								
Codice / Code: B01510		Descrizione / description: Doccia monogetto in ottone Brass Single function handshower																											
Foto / image		Disegni / drawings																											
																													
Grafico di portata / Flow rate diagram																													
<table border="1"> <thead> <tr> <th></th> <th>rain</th> </tr> </thead> <tbody> <tr><td>0</td><td>0</td></tr> <tr><td>0,5</td><td>10</td></tr> <tr><td>1</td><td>16</td></tr> <tr><td>1,5</td><td>19,6</td></tr> <tr><td>2</td><td>23</td></tr> <tr><td>2,5</td><td>25,8</td></tr> <tr><td>3</td><td>28,6</td></tr> <tr><td>3,5</td><td>31</td></tr> <tr><td>4</td><td>33,2</td></tr> <tr><td>4,5</td><td>35,5</td></tr> <tr><td>5</td><td>37,2</td></tr> </tbody> </table>			rain	0	0	0,5	10	1	16	1,5	19,6	2	23	2,5	25,8	3	28,6	3,5	31	4	33,2	4,5	35,5	5	37,2				
	rain																												
0	0																												
0,5	10																												
1	16																												
1,5	19,6																												
2	23																												
2,5	25,8																												
3	28,6																												
3,5	31																												
4	33,2																												
4,5	35,5																												
5	37,2																												
pressione bar		portata L/min																											
MATERIALI / materials																													
Brass, ABS, Silicone, Nbr, Acetal																													
CARATTERISTICHE IDRAULICHE / hydraulic features																													
	pressione pressure	portata flow rate	temperatura temperature	solo per miscelatori termostatici only for thermostatic mixers																									
min	1 bar	--	--	Blocco di sicurezza safety lock	/																								
max	5 bar	--	<70°C	Temperatura acqua fredda cold water temperature	/																								
consigliata recommended	2-3 bar	--	<42°C	Temperatura acqua calda hot water temperature	/																								
CERTIFICAZIONI / CERTIFICATIONS:																													
ACS(FRA)																													
CONFORMITA' / CONFORMITY :																													
Chrome plating - EN 248.																													