
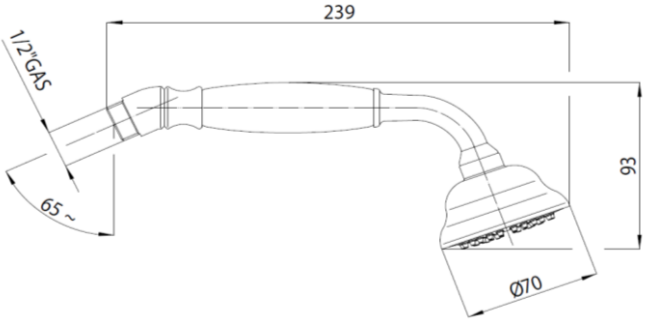
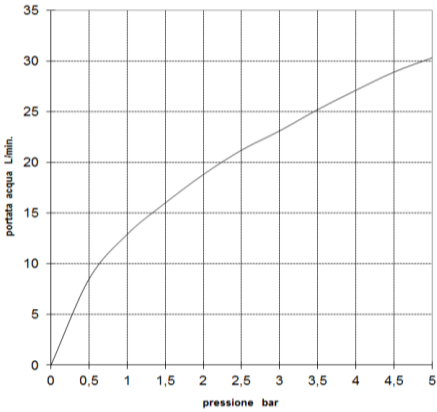


BOSSINI		SCHEDA TECNICA TECHNICAL SHEET		Date: 26/07/2017	Rev/0																										
Codice / Code: B01580		Descrizione / description: Doccia monogetto in ottone c/curva Brass single function handshower w/elbow																													
Foto / image		Disegni / drawings																													
																															
Grafico di portata / Flow rate diagram																															
<table border="1"> <thead> <tr> <th></th> <th>rain</th> </tr> </thead> <tbody> <tr><td>0</td><td>0</td></tr> <tr><td>0,5</td><td>8,5</td></tr> <tr><td>1</td><td>12,9</td></tr> <tr><td>1,5</td><td>16</td></tr> <tr><td>2</td><td>18,8</td></tr> <tr><td>2,5</td><td>21,2</td></tr> <tr><td>3</td><td>23,1</td></tr> <tr><td>3,5</td><td>25,2</td></tr> <tr><td>4</td><td>27,1</td></tr> <tr><td>4,5</td><td>28,9</td></tr> <tr><td>5</td><td>30,3</td></tr> <tr> <td>pressione bar</td> <td>portata L/min</td> </tr> </tbody> </table>			rain	0	0	0,5	8,5	1	12,9	1,5	16	2	18,8	2,5	21,2	3	23,1	3,5	25,2	4	27,1	4,5	28,9	5	30,3	pressione bar	portata L/min				
	rain																														
0	0																														
0,5	8,5																														
1	12,9																														
1,5	16																														
2	18,8																														
2,5	21,2																														
3	23,1																														
3,5	25,2																														
4	27,1																														
4,5	28,9																														
5	30,3																														
pressione bar	portata L/min																														
MATERIALI / materials																															
Brass, ABS, Silicone, Nbr, Acetal																															
CARATTERISTICHE IDRAULICHE / hydraulic features																															
	pressione pressure	portata flow rate	temperatura temperature	solo per miscelatori termostatici only for thermostatic mixers																											
min	1 bar	--	--	Blocco di sicurezza safety lock	/																										
max	5 bar	--	<70°C	Temperatura acqua fredda cold water temperature	/																										
consigliata recommended	2-3 bar	--	<42°C	Temperatura acqua calda hot water temperature	/																										
CERTIFICAZIONI / CERTIFICATIONS:																															
ACS(FRA)																															
CONFORMITA' / CONFORMITY :																															
Chrome plating - EN 248.																															