

	SCHEDA TECNICA TECHNICAL SHEET	Date: 02/07/2018	Rev/0

Codice / Code: C03166	Descrizione / description: Duplex doccia a pulsante con supporto fisso, flessibile cm 125 <i>Shut-off handspray set with fixed bracket, flexible hose cm 125</i>
--	---


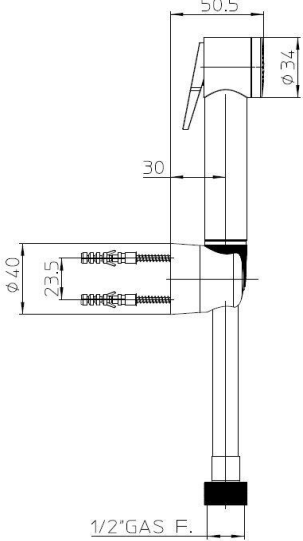
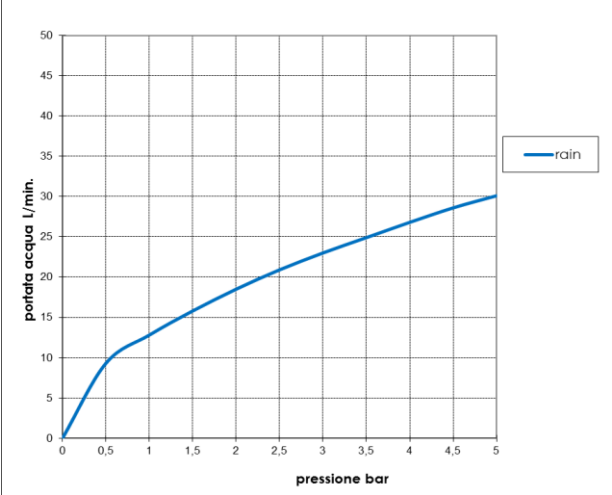
Foto / image 	Disegni / drawings 
--	---

Grafico di portata / Flow rate diagram																									
<table border="1"> <thead> <tr> <th></th> <th style="background-color: #e0f0ff;">rain</th> </tr> </thead> <tbody> <tr><td>0</td><td>0</td></tr> <tr><td>0,5</td><td>9,3</td></tr> <tr><td>1</td><td>12,8</td></tr> <tr><td>1,5</td><td>15,8</td></tr> <tr><td>2</td><td>18,5</td></tr> <tr><td>2,5</td><td>20,9</td></tr> <tr><td>3</td><td>23</td></tr> <tr><td>3,5</td><td>24,9</td></tr> <tr><td>4</td><td>26,8</td></tr> <tr><td>4,5</td><td>28,6</td></tr> <tr><td>5</td><td>30,1</td></tr> </tbody> </table>			rain	0	0	0,5	9,3	1	12,8	1,5	15,8	2	18,5	2,5	20,9	3	23	3,5	24,9	4	26,8	4,5	28,6	5	30,1
	rain																								
0	0																								
0,5	9,3																								
1	12,8																								
1,5	15,8																								
2	18,5																								
2,5	20,9																								
3	23																								
3,5	24,9																								
4	26,8																								
4,5	28,6																								
5	30,1																								

MATERIALI / materials Doccia B00442: Plastica (ABS) corpo, leva e diffusore; Gomma (NBR) guarnizioni; Acciaio e ottone altri componenti Supporto C03000: Plastica (ABS); Flessibile A00143: tubo Nylon retinato; connettori in ottone; guarnizioni EPDM Handshower B00442: Plastic (ABS) body, handle and diffuser; Rubber (NBR) gaskets; Stainless steel and brass other components; Bracket C03000: Plastic (ABS); Hose A00143: Reinforced Nylon tube; brass connectors; EPDM gaskets.
--

CARATTERISTICHE IDRAULICHE / hydraulic features					
	pressione <i>pressure</i>	portata <i>flow rate</i>	temperatura <i>temperature</i>	<i>solo per miscelatori termostatici</i> <i>only for thermostatic mixers</i>	
min	1 bar	/	--	Blocco di sicurezza <i>safety lock</i>	/
max	5 bar	/	<70°C	Temperatura acqua fredda <i>cold water temperature</i>	/
consigliata <i>recommended</i>	2-3 bar	10 L/min	--	Temperatura acqua calda <i>hot water temperature</i>	/

CERTIFICAZIONI / CERTIFICATIONS Handshower B00442: ACS (FRA).
CONFORMITA' / CONFORMITY Hose - EN 1113; Chrome plating - EN 248;