

 BOSSINI	SCHEDA TECNICA TECHNICAL SHEET	Date: 08/01/2018	Rev/0

Codice / Code: C17001	Descrizione / description: DUPLEX DOCCIA CON SUPPORTO AD INCASSO, ATTACCO CONICO GIREVOLE E FLESSIBILE OTTONE DOPPIA AGGRAFFATURA CM 150, DOCCIA MONOGETTO IN OTTONE LIBERTY-GOM SHOWER SET WITH SUPPLY ELBOW AND SWIVEL HOOK, DOUBLE INTERLOCK BRASS HOSE CM 150, LIBERTY-GOM SINGLE FUNCTION BRASS HANDSHOWER
--	---


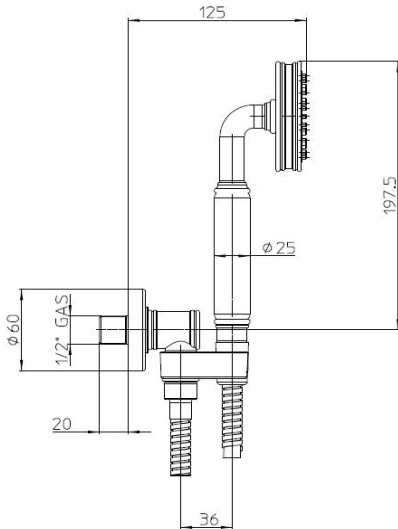
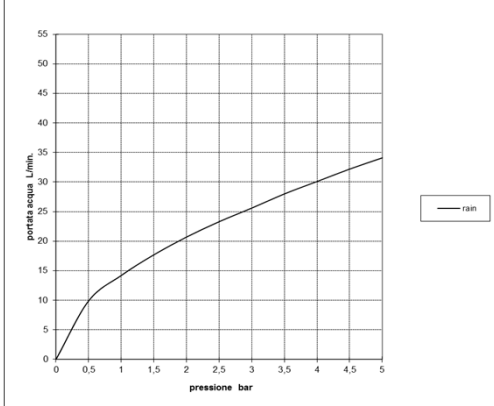
Foto / image 	Disegni / drawings 
--	---

Grafico di portata / Flow rate diagram 	<table border="1"> <thead> <tr> <th></th> <th>rain</th> </tr> </thead> <tbody> <tr><td>0</td><td>0</td></tr> <tr><td>0,5</td><td>9,9</td></tr> <tr><td>1</td><td>14,2</td></tr> <tr><td>1,5</td><td>17,7</td></tr> <tr><td>2</td><td>20,7</td></tr> <tr><td>2,5</td><td>23,3</td></tr> <tr><td>3</td><td>25,6</td></tr> <tr><td>3,5</td><td>28</td></tr> <tr><td>4</td><td>30,1</td></tr> <tr><td>4,5</td><td>32,2</td></tr> <tr><td>5</td><td>34,1</td></tr> <tr> <td>pressione bar</td> <td>portata L/min</td> </tr> </tbody> </table>		rain	0	0	0,5	9,9	1	14,2	1,5	17,7	2	20,7	2,5	23,3	3	25,6	3,5	28	4	30,1	4,5	32,2	5	34,1	pressione bar	portata L/min
	rain																										
0	0																										
0,5	9,9																										
1	14,2																										
1,5	17,7																										
2	20,7																										
2,5	23,3																										
3	25,6																										
3,5	28																										
4	30,1																										
4,5	32,2																										
5	34,1																										
pressione bar	portata L/min																										

MATERIALI / materials Handshower B00750: Brass body, Stainless steel faceplate flange, TPE diffuser, Rubber (EPDM, NBR) gaskets; Supply Elbow C17000: Brass body, Rubber (NBR) gaskets; Hose A03045: Brass tube and connectors, PVC inner tube, Rubber (EPDM) Gaskets.

CARATTERISTICHE IDRAULICHE / hydraulic features					
	pressione pressure	portata flow rate	temperatura temperature	<i>solo per miscelatori termostatici</i> <i>only for thermostatic mixers</i>	
min	1 bar	L/min	--	Blocco di sicurezza safety lock	/
max	5 bar	L/min	<70°C	Temperatura acqua fredda cold water temperature	/
consigliata recommended	2-3 bar	7,5 L/min	--	Temperatura acqua calda hot water temperature	/

CERTIFICAZIONI / CERTIFICATIONS Handshower B00750: IAPMO, CSA [ASME A112.18.1/CSA B125.1] (USA/CAN); ACS (FRA); Hose A03045: ACS (FRA); NF [EN 1111] (FRA);
--

CONFORMITA' / CONFORMITY Handshower B00750: EN 1112; Chrome plating EN 248;
--