
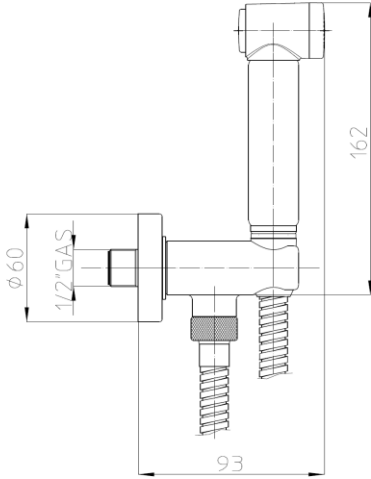
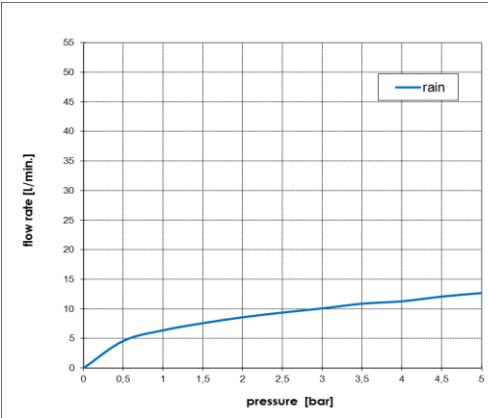


BOSSINI		SCHEDA TECNICA TECHNICAL SHEET		Date: 31/01/2017	Rev/0																										
<b>Codice / Code:</b> <b>C69004</b>		<b>Descrizione / description:</b> SET DOCCIA A PULSANTE IN OTTONE, SUPPORTO C/ARRESTO ACQUA 1/2" M, FLESSIBILE OTTONE DA cm 125 SHOWER SET WITH BRASS BIDET HANDSPRAY, SAFETY STOP VALVE 1/2" M WITH SHOWER HOLDER, DOUBLE INTERLOCK BRASS HOSE 125 cm																													
<b>Foto / image</b>		<b>Disegni / drawings</b>																													
																															
<b>Grafico di portata / Flow rate diagram</b>																															
<table border="1"> <thead> <tr> <th></th> <th>rain</th> </tr> </thead> <tbody> <tr><td>0</td><td>0</td></tr> <tr><td>0,5</td><td>4,6</td></tr> <tr><td>1</td><td>6,4</td></tr> <tr><td>1,5</td><td>7,6</td></tr> <tr><td>2</td><td>8,6</td></tr> <tr><td>2,5</td><td>9,4</td></tr> <tr><td>3</td><td>10,1</td></tr> <tr><td>3,5</td><td>10,9</td></tr> <tr><td>4</td><td>11,3</td></tr> <tr><td>4,5</td><td>12,1</td></tr> <tr><td>5</td><td>12,7</td></tr> <tr> <td>pressure <b>bar</b></td> <td>flow rate <b>L/min</b></td> </tr> </tbody> </table>			rain	0	0	0,5	4,6	1	6,4	1,5	7,6	2	8,6	2,5	9,4	3	10,1	3,5	10,9	4	11,3	4,5	12,1	5	12,7	pressure <b>bar</b>	flow rate <b>L/min</b>				
	rain																														
0	0																														
0,5	4,6																														
1	6,4																														
1,5	7,6																														
2	8,6																														
2,5	9,4																														
3	10,1																														
3,5	10,9																														
4	11,3																														
4,5	12,1																														
5	12,7																														
pressure <b>bar</b>	flow rate <b>L/min</b>																														
<b>MATERIALI / materials</b>																															
<b>Shower:</b> Brass body, head and connector; Plastic (ABS) diffuser; Rubber (NBR) gaskets; other components in stainless steel and brass; <b>Hose:</b> Brass tube and connectors; Plastic (PVC, Nylon) inner tube; Rubber (NBR) gaskets; <b>Bracket:</b> Brass body, Rubber (NBR) gaskets, other components in stainless steel.																															
<b>CARATTERISTICHE IDRAULICHE / hydraulic features</b>																															
	pressione pressure	portata flow rate	temperatura temperature	solo per miscelatori termostatici only for thermostatic mixers																											
min	1 bar	/	--	Blocco di sicurezza safety lock	/																										
max	5 bar	/	<70°C	Temperatura acqua fredda cold water temperature	/																										
consigliata recommended	2-3 bar	5 L/min	--	Temperatura acqua calda hot water temperature	/																										
<b>CERTIFICAZIONI / CERTIFICATIONS</b>																															
<b>Shower:</b> ACS (FRA)																															
<b>CONFORMITA' / CONFORMITY</b>																															
Chrome plating - EN 248; Hose - EN 1113;																															