



<p><b>Codice - Code:</b> <b>D47062</b> Slide rail set</p>	<p><b>Descrizione - Description:</b> Asta murale FLAT in ottone cm 120 con supporti a muro regolabili (interasse massimo cm 85), supporto inferiore con presa acqua incorporata, doccia FLAT-ONE e flessibile Cromolux 150 cm</p> <p><i>Cm 120 FLAT brass slide rail with adjustable brackets (maximum fixation distance cm 85), lower bracket with built-in water outlet FLAT, FLAT-ONE handshower and Cromolux hose 150 cm</i></p>
<p><b>Tecnologia - Technology:</b></p> <div style="display: flex; align-items: center;">   </div>	<p><i>Brausestange cm 120 aus Messing mit verstellbaren Wandhalter (maximale Montagelänge 85 cm), unterer Halter mit Schlauchanschluss, Handbrause FLAT-ONE und 150 cm Cromolux</i></p> <p><i>Barre murale FLAT en laiton cm 120 avec supports muraux réglables (entraxe maximal 85 cm), alimentation d'eau incorporée dans le support inférieur, douchette FLAT-ONE et flexible Cromolux 150 cm</i></p> <p><i>Barra deslizante FLAT en latón cm 120 con soportes regulables (distancia máxima de fijación 85 cm), toma de agua incorporada en el soporte inferior, mango ducha FLAT-ONE y flexible Cromolux 150 cm</i></p> <p><i>Душевая штанга FLAT из латуни 120 см настенное крепление регулируется по высоте (максимальное расстояние 85 см), в нижний держатель встроена водорозетка, Ручная лейка FLAT-ONE, Шланг Cromolux 150 см</i></p>


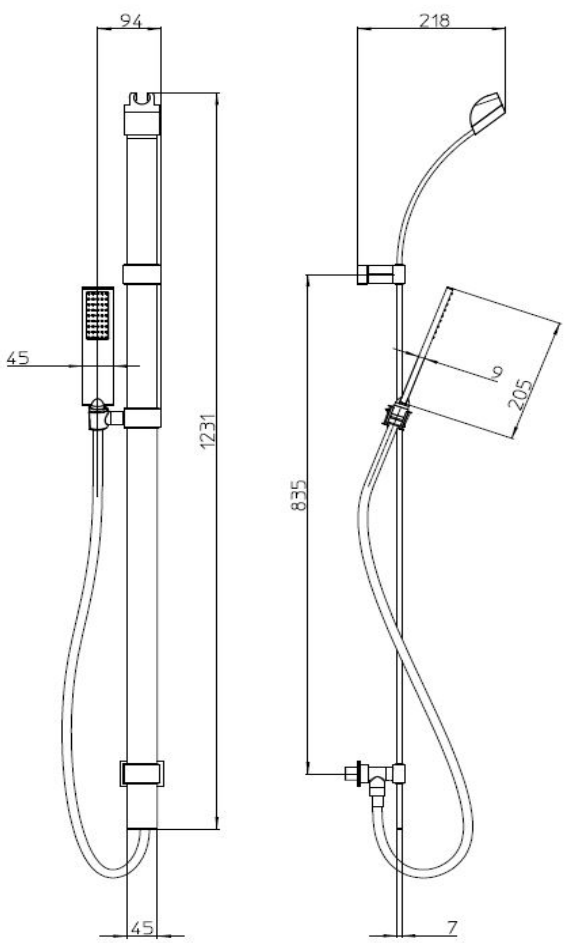
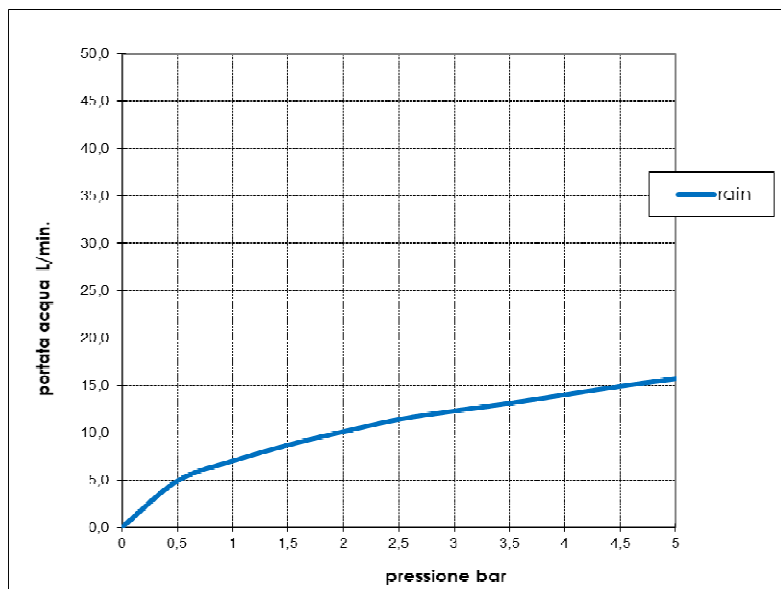
<p><b>Immagine Prodotto - Product Image</b></p> 	<p><b>Disegni - Drawings</b></p> 
---	---

Grafico di portata - Flow rate diagram

	rain
0	0,0
0,5	4,9
1	7,0
1,5	8,7
2	10,1
2,5	11,4
3	12,3
3,5	13,1
4	14,0
4,5	14,9
5	15,7
pressione <b>bar</b>	portata <b>L/min</b>



Caratteristiche idrauliche - Hydraulic features

	Pressione Pressure	Portata Flow rate	Solo per miscelatori termostatici Only for thermostatic mixers	
min	1 bar	7 L/min	Blocco di sicurezza Safety lock	--
max	5 bar	16 L/min	Temperatura acqua fredda Cold water temperature	--
Portata minima consigliata per buon funzionamento Recommended minimum flow-rate for optimal performance			Temperatura acqua calda Hot water temperature	--

Materiali - Materials

**Asta murale D47000:** Ottone  
**Doccia B00270:** Corpo in ottone e diffusore in silicone  
**Flessibile A00158:** Tubo Nylon rinforzato e PVC con raccordi in ottone

**Slide rail D47000:** Ottone  
**Hand shower B00270:** Brass body and silicone diffuser  
**Hose A00158:** Reinforced nylon pipe and PVC with brass fittings

Certificazioni - Certifications



Conformità' - Conformity

Chrome plating - EN 248