
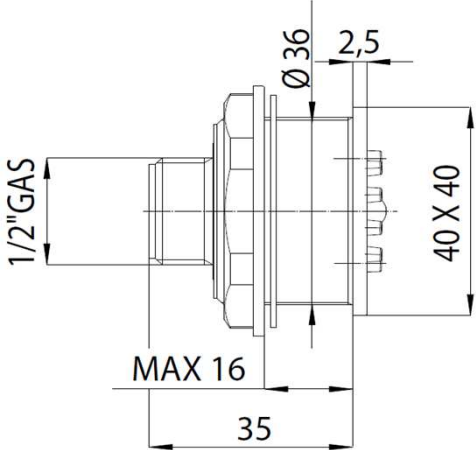
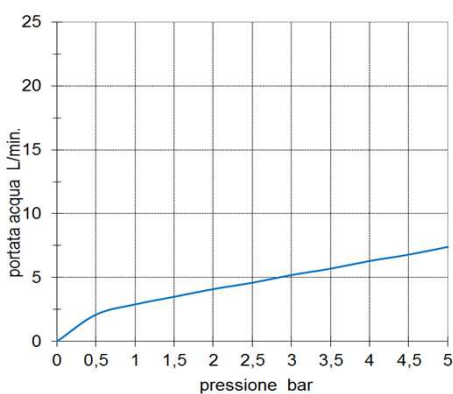


BOSSINI		SCHEDA TECNICA TECHNICAL SHEET		Date: 12/07/2017	Rev/0																										
Codice / Code: I02136		Descrizione / description: Soffione laterale getto pioggia/nebulizzato autopulente in ottone. Installazione per pannelli doccia Brass body spray, rain/mist function - Easy-Clean spray pattern. For shower panels installation																													
Foto / image		Disegni / drawings																													
																															
Grafico di portata / Flow rate diagram		<table border="1"> <thead> <tr> <th></th> <th>rain</th> </tr> </thead> <tbody> <tr><td>0</td><td>0</td></tr> <tr><td>0,5</td><td>2,1</td></tr> <tr><td>1</td><td>2,9</td></tr> <tr><td>1,5</td><td>3,5</td></tr> <tr><td>2</td><td>4,1</td></tr> <tr><td>2,5</td><td>4,6</td></tr> <tr><td>3</td><td>5,2</td></tr> <tr><td>3,5</td><td>5,7</td></tr> <tr><td>4</td><td>6,3</td></tr> <tr><td>4,5</td><td>6,8</td></tr> <tr><td>5</td><td>7,4</td></tr> <tr> <td>Pressure bar</td> <td>Flow Rate L/min</td> </tr> </tbody> </table>					rain	0	0	0,5	2,1	1	2,9	1,5	3,5	2	4,1	2,5	4,6	3	5,2	3,5	5,7	4	6,3	4,5	6,8	5	7,4	Pressure bar	Flow Rate L/min
	rain																														
0	0																														
0,5	2,1																														
1	2,9																														
1,5	3,5																														
2	4,1																														
2,5	4,6																														
3	5,2																														
3,5	5,7																														
4	6,3																														
4,5	6,8																														
5	7,4																														
Pressure bar	Flow Rate L/min																														
																															
MATERIALI / materials																															
Faceplate flange, body, rose : Brass, seals: Fiber, diffuser : Silicone; other parts : Acetal;																															
CARATTERISTICHE IDRAULICHE / hydraulic features																															
	pressione pressure	portata flow rate	temperatura temperature	solo per miscelatori termostatici only for thermostatic mixers																											
min	1 bar	/	--	Blocco di sicurezza safety lock	/																										
max	5 bar	/	<70°C	Temperatura acqua fredda cold water temperature	/																										
consigliata recommended	2-3 bar	2,5 L/min	°C	Temperatura acqua calda hot water temperature	/																										
CERTIFICAZIONI / CERTIFICATIONS:																															
CONFORMITA' / CONFORMITY:																															
EN1112; Chrome plating EN 248																															