
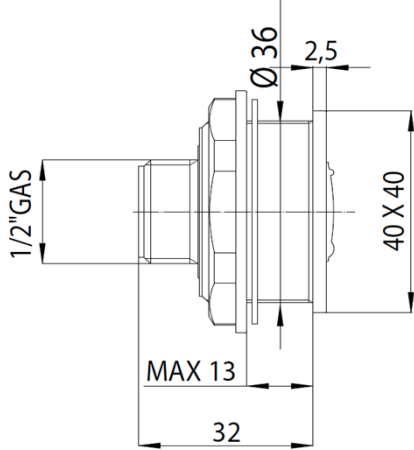
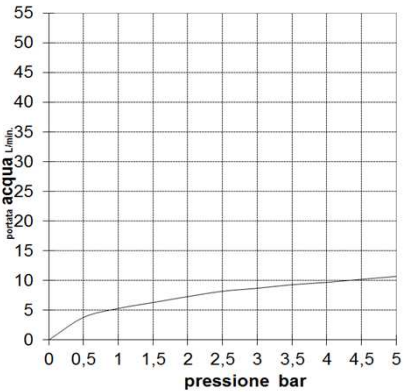
	SCHEDA TECNICA TECHNICAL SHEET	Date: 12/07/2017	Rev/0																								
Codice / Code: I02142	Descrizione / description: Soffione laterale getto massaggio, in ottone. Installazione per pannelli doccia Brass body spray, Massage spray. For shower panels installation																										
Foto / image 	Disegni / drawings 																										
Grafico di portata / Flow rate diagram 	<table border="1" data-bbox="868 922 1203 1339"> <thead> <tr> <th></th> <th>rain</th> </tr> </thead> <tbody> <tr><td>0</td><td>0</td></tr> <tr><td>0,5</td><td>3,8</td></tr> <tr><td>1</td><td>5,3</td></tr> <tr><td>1,5</td><td>6,3</td></tr> <tr><td>2</td><td>7,3</td></tr> <tr><td>2,5</td><td>8,2</td></tr> <tr><td>3</td><td>8,7</td></tr> <tr><td>3,5</td><td>9,3</td></tr> <tr><td>4</td><td>9,7</td></tr> <tr><td>4,5</td><td>10,2</td></tr> <tr><td>5</td><td>10,7</td></tr> </tbody> </table>				rain	0	0	0,5	3,8	1	5,3	1,5	6,3	2	7,3	2,5	8,2	3	8,7	3,5	9,3	4	9,7	4,5	10,2	5	10,7
	rain																										
0	0																										
0,5	3,8																										
1	5,3																										
1,5	6,3																										
2	7,3																										
2,5	8,2																										
3	8,7																										
3,5	9,3																										
4	9,7																										
4,5	10,2																										
5	10,7																										
MATERIALI / materials Faceplate flange, body, rose : Brass, seals: Fiber, diffuser, other parts : Acetal;																											
CARATTERISTICHE IDRAULICHE / hydraulic features <table border="1" data-bbox="118 1518 1362 1753"> <thead> <tr> <th></th> <th>pressione pressure</th> <th>portata flow rate</th> <th>temperatura temperature</th> <th colspan="2">solo per miscelatori termostatici only for thermostatic mixers</th> </tr> </thead> <tbody> <tr> <td>min</td> <td>1 bar</td> <td>/</td> <td>--</td> <td>Blocco di sicurezza safety lock</td> <td>/</td> </tr> <tr> <td>max</td> <td>5 bar</td> <td>/</td> <td><70°C</td> <td>Temperatura acqua fredda cold water temperature</td> <td>/</td> </tr> <tr> <td>consigliata recommended</td> <td>2-3 bar</td> <td>2,5L/min</td> <td>°C</td> <td>Temperatura acqua calda hot water temperature</td> <td>/</td> </tr> </tbody> </table>					pressione pressure	portata flow rate	temperatura temperature	solo per miscelatori termostatici only for thermostatic mixers		min	1 bar	/	--	Blocco di sicurezza safety lock	/	max	5 bar	/	<70°C	Temperatura acqua fredda cold water temperature	/	consigliata recommended	2-3 bar	2,5L/min	°C	Temperatura acqua calda hot water temperature	/
	pressione pressure	portata flow rate	temperatura temperature	solo per miscelatori termostatici only for thermostatic mixers																							
min	1 bar	/	--	Blocco di sicurezza safety lock	/																						
max	5 bar	/	<70°C	Temperatura acqua fredda cold water temperature	/																						
consigliata recommended	2-3 bar	2,5L/min	°C	Temperatura acqua calda hot water temperature	/																						
CERTIFICAZIONI / CERTIFICATIONS:																											
CONFORMITA' / CONFORMITY: Chrome plating EN 248																											