
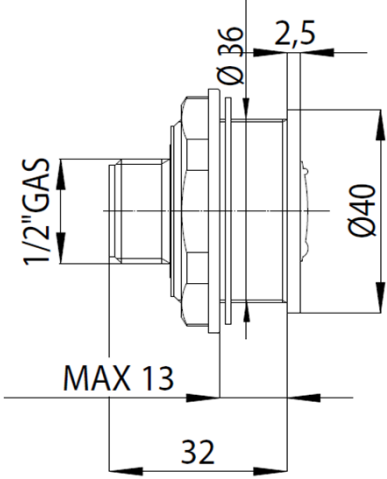
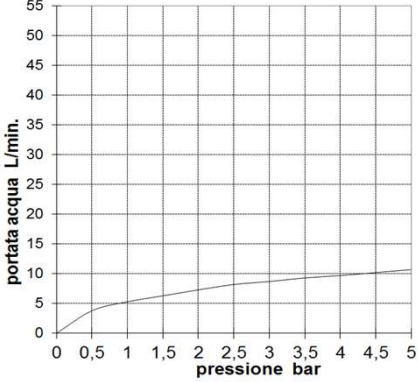


BOSSINI		SCHEDA TECNICA TECHNICAL SHEET		Date: 12/07/2017	Rev/0																										
<b>Codice / Code:</b> <b>I02148</b>		<b>Descrizione / description:</b> Soffione laterale getto massaggio, in ottone. Installazione per pannelli doccia Brass body spray, Massage spray. For shower panels installation																													
Foto / image		Disegni / drawings																													
																															
Grafico di portata / Flow rate diagram		<table border="1"> <thead> <tr> <th></th> <th>rain</th> </tr> </thead> <tbody> <tr><td>0</td><td>0</td></tr> <tr><td>0,5</td><td>3,8</td></tr> <tr><td>1</td><td>5,3</td></tr> <tr><td>1,5</td><td>6,3</td></tr> <tr><td>2</td><td>7,3</td></tr> <tr><td>2,5</td><td>8,2</td></tr> <tr><td>3</td><td>8,7</td></tr> <tr><td>3,5</td><td>9,3</td></tr> <tr><td>4</td><td>9,7</td></tr> <tr><td>4,5</td><td>10,2</td></tr> <tr><td>5</td><td>10,7</td></tr> <tr> <td>Pressure <b>bar</b></td> <td>Flow Rate <b>L/min</b></td> </tr> </tbody> </table>					rain	0	0	0,5	3,8	1	5,3	1,5	6,3	2	7,3	2,5	8,2	3	8,7	3,5	9,3	4	9,7	4,5	10,2	5	10,7	Pressure <b>bar</b>	Flow Rate <b>L/min</b>
	rain																														
0	0																														
0,5	3,8																														
1	5,3																														
1,5	6,3																														
2	7,3																														
2,5	8,2																														
3	8,7																														
3,5	9,3																														
4	9,7																														
4,5	10,2																														
5	10,7																														
Pressure <b>bar</b>	Flow Rate <b>L/min</b>																														
																															
<b>MATERIALI / materials</b>																															
Faceplate flange, body, rose: Brass, seals: Fiber, diffuser, other parts: Acetal;																															
<b>CARATTERISTICHE IDRAULICHE / hydraulic features</b>																															
	pressione pressure	portata flow rate	temperatura temperature	solo per miscelatori termostatici only for thermostatic mixers																											
min	<b>1 bar</b>	/	--	Blocco di sicurezza safety lock	/																										
max	<b>5 bar</b>	/	<b>&lt;70°C</b>	Temperatura acqua fredda cold water temperature	/																										
consigliata recommended	<b>2-3 bar</b>	/	<b>°C</b>	Temperatura acqua calda hot water temperature	/																										
<b>CERTIFICAZIONI / CERTIFICATIONS:</b>																															
<b>CONFORMITA' / CONFORMITY:</b> Chrome plating EN 248																															