



# BOSSINI

HIGH QUALITY SHOWER SYSTEMS

## SCHEDA TECNICA - TECHNICAL SHEET

30/11/2023

Rev: 0

### Codice - Code:

**INZ226**

External part for thermostatic coaxial mixer with 2-ways diverter and fixed bracket with water outlet

### Descrizione - Description:

Parte esterna miscelatore termostatico coassiale per incasso a parete con deviatore due vie, supporto fisso e presa acqua, doccia ZEN inox e flessibile Cromolux 150cm, attacchi G1/2" femmina

*Exposed parts for wall concealed thermostatic coaxial mixer complete with 2-ways diverter, fixed bracket and water outlet, handshower ZEN inox and Cromolux flex hose 150cm, 1/2" F GAS connections*

*Aufputzteil für Thermostat-Brausebatterie Wandeinbau mit 2-Wege Umsteller, ZEN inox Handbrause mit festem Halter und Wassereingang, Cromolux Brauseschlauch 150cm, 1/2"IG GAS Verbindungen*

*Parties externes pour mitigeur thermostatique coaxial encastré au mur complet avec inverseur 2 voies, support fixe et sortie d'eau, douche ZEN inox et flexible douche Cromolux 150cm, raccords 1/2 "F GAS*

*Partes a la vista para termostático coaxial empotrado en pared, desviador de 2 vías, soporte fijo y toma de agua, ducha ZEN inox y flexible Cromolux 150cm, conexiones 1/2 "H GAS*

*Наружная часть термостатического смесителя Inox AISI 316L из стены на 2 выходов, Ручной душ ZEN Inox мм на фиксированном держателе. Шланг Cromolux 150 см, подключение 1/2" F.*

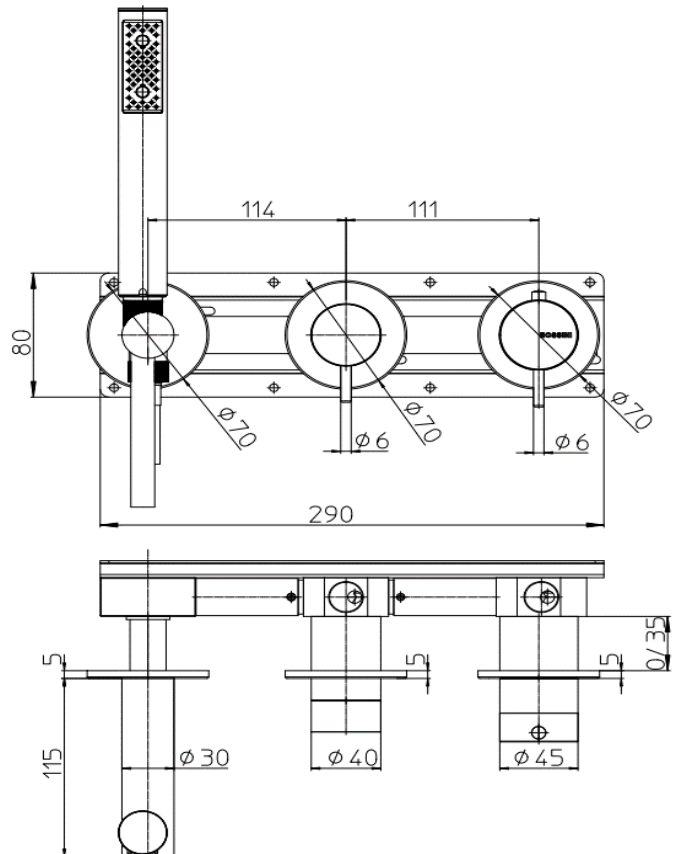
### Tecnologia - Technology:



### Immagine Prodotto - Product Image



### Disegni - Drawings



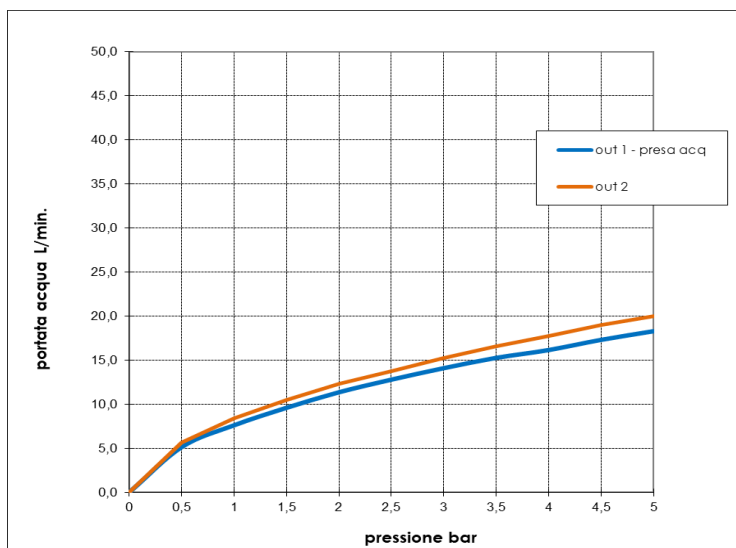
Concealed part (INZ211) supplied separately

Grafico di portata - Flow rate diagram

	ZEN hdswr	out 2 - shwrhd
0	0,0	0,0
0,5	4,6	5,7
1	5,7	8,4
1,5	7,3	10,5
2	8,5	12,3
2,5	9,7	13,7
3	10,7	15,3
3,5	11,7	16,6
4	12,6	17,8
4,5	13,3	19,0
5	14,3	20,0
pressione <b>bar</b>	portata <b>L/min</b>	

Le portate indicate sono valide solo in abbinamento all'incasso INZ211, acqua miscelata 50/50 calda e fredda

Flow rate mentioned are valid only with the concealed part INZ211, mixed water 50/50 hot and cold



Caratteristiche idrauliche - Hydraulic features

	Pressione Pressure	Portata Flow rate
min	1 bar	5,7 L/min
max	5 bar	20,0 L/min
Portata minima consigliata per buon funzionamento Recommended minimum flow-rate for optimal performance		5 L/min

Solo per miscelatori termostatici Only for thermostatic mixers	
Blocco di sicurezza Safety lock	38 °C
Temperatura acqua fredda Cold water temperature	≤ 20 °C
Temperatura acqua calda Hot water temperature	55°÷65°C

Materiali - Materials

**Rosoni e manopole:** Acciaio Inox AISI 316L  
**Presca acqua:** Acciaio Inox AISI 316L  
**Doccia INB001:** Acciaio Inox AISI 316 con diffusore in silicone, parti interne in acetalica  
**Flessibile INA001:** PVC retinato nylon con connessioni in inox AISI 316  
**Plates and handles:** Stainless steel AISI 316L  
**Fixed bracket:** Stainless steel AISI 316L  
**Handshower INB001:** Stainless steel AISI 316 with silicone nozzles, internal parts in POM resin  
**Flexible Hose INA001:** PVC reinforced nylon with AISI 316 connections

Certificazioni - Certifications

Conformità' - Conformity

Flexible hose: EN1113; Handshower: EN1112