
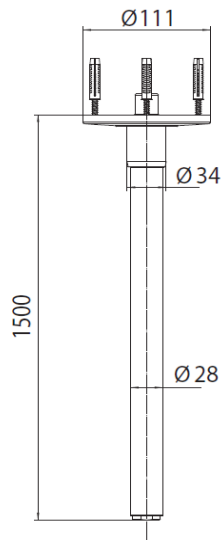
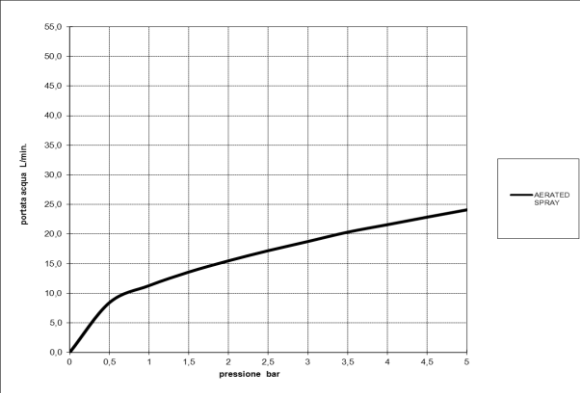


BOSSINI		SCHEDA TECNICA TECHNICAL SHEET		Date: 31/08/2015	Rev/0																												
Codice / Code: H28000U		Descrizione / description: Tubo verticale con getto aerato Ø 28 mm 1/2"MM Ceiling pipe with aerated spray Ø 28 mm 1/2" MM																															
Foto / image		Disegni / drawings																															
																																	
Grafico di portata / Flow rate diagram		<table border="1"> <thead> <tr> <th colspan="2">AERATED SPRA'</th> </tr> <tr> <th>pressione bar</th> <th>portata L/min</th> </tr> </thead> <tbody> <tr><td>0</td><td>0,0</td></tr> <tr><td>0,5</td><td>8,4</td></tr> <tr><td>1</td><td>11,3</td></tr> <tr><td>1,5</td><td>13,6</td></tr> <tr><td>2</td><td>15,5</td></tr> <tr><td>2,5</td><td>17,2</td></tr> <tr><td>3</td><td>18,8</td></tr> <tr><td>3,5</td><td>20,3</td></tr> <tr><td>4</td><td>21,6</td></tr> <tr><td>4,5</td><td>22,9</td></tr> <tr><td>5</td><td>24,1</td></tr> <tr> <td>pressione bar</td> <td>portata L/min</td> </tr> </tbody> </table>				AERATED SPRA'		pressione bar	portata L/min	0	0,0	0,5	8,4	1	11,3	1,5	13,6	2	15,5	2,5	17,2	3	18,8	3,5	20,3	4	21,6	4,5	22,9	5	24,1	pressione bar	portata L/min
AERATED SPRA'																																	
pressione bar	portata L/min																																
0	0,0																																
0,5	8,4																																
1	11,3																																
1,5	13,6																																
2	15,5																																
2,5	17,2																																
3	18,8																																
3,5	20,3																																
4	21,6																																
4,5	22,9																																
5	24,1																																
pressione bar	portata L/min																																
																																	
MATERIALI / materials																																	
Brass, Plstic, Rubber																																	
CARATTERISTICHE IDRAULICHE / hydraulic features																																	
	pressione pressure	portata flow rate	temperatura temperature	solo per miscelatori termostatici only for thermostatic mixers																													
min	1 bar	L/min	--	Blocco di sicurezza safety lock	/																												
max	5 bar	L/min	<70°C	Temperatura acqua fredda cold water temperature	/																												
consigliata recommended	2-3 bar	L/min	°C	Temperatura acqua calda hot water temperature	/																												
CERTIFICAZIONI / CERTIFICATIONS:																																	
CONFORMITA' / CONFORMITY:																																	
EN 1112																																	