
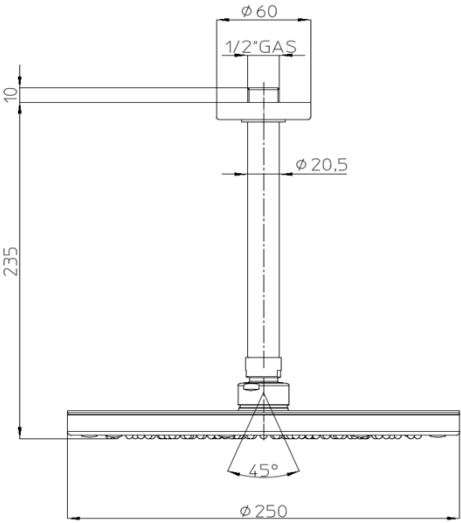
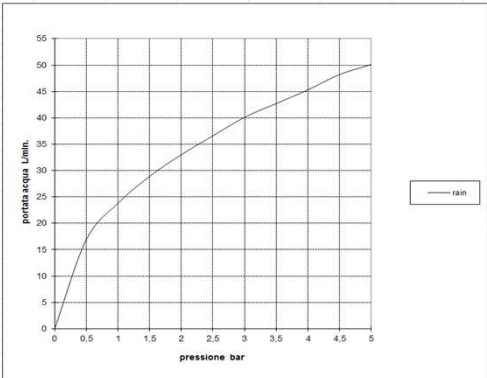


BOSSINI		SCHEDA TECNICA TECHNICAL SHEET		Date: 29/01/2014	Rev/0																										
Codice / Code: H31410		Descrizione / description: SOFFIONE OKI 250mm CON BRACCIO VERTICALE DIAMETRO 21mm 1/2" MM OKI SHOWER HEAD 250mm, WITH CEILING SHOWER ARM DIAMETER 21mm 1/2"MM																													
Foto / image		Disegni / drawings																													
																															
Grafico di portata / Flow rate diagram																															
		<table border="1"> <thead> <tr> <th></th> <th>rain</th> </tr> </thead> <tbody> <tr><td>0</td><td>0</td></tr> <tr><td>0,5</td><td>16,9</td></tr> <tr><td>1</td><td>23,8</td></tr> <tr><td>1,5</td><td>28,9</td></tr> <tr><td>2</td><td>33</td></tr> <tr><td>2,5</td><td>36,6</td></tr> <tr><td>3</td><td>40,1</td></tr> <tr><td>3,5</td><td>42,7</td></tr> <tr><td>4</td><td>45,3</td></tr> <tr><td>4,5</td><td>48,2</td></tr> <tr><td>5</td><td>50,1</td></tr> <tr> <td>pressione bar</td> <td>portata L/min</td> </tr> </tbody> </table>					rain	0	0	0,5	16,9	1	23,8	1,5	28,9	2	33	2,5	36,6	3	40,1	3,5	42,7	4	45,3	4,5	48,2	5	50,1	pressione bar	portata L/min
	rain																														
0	0																														
0,5	16,9																														
1	23,8																														
1,5	28,9																														
2	33																														
2,5	36,6																														
3	40,1																														
3,5	42,7																														
4	45,3																														
4,5	48,2																														
5	50,1																														
pressione bar	portata L/min																														
MATERIALI / materials																															
BRASS																															
CARATTERISTICHE IDRAULICHE / hydraulic features																															
	pressione pressure	portata flow rate	temperatura temperature	solo per miscelatori termostatici only for thermostatic mixers																											
min	1 bar	L/min	--	Blocco di sicurezza safety lock	/																										
max	5 bar	L/min	<70°C	Temperatura acqua fredda cold water temperature	/																										
consigliata recommended	2-3 bar	L/min	°C	Temperatura acqua calda hot water temperature	/																										
CERTIFICAZIONI / CERTIFICATIONS: Soffione/Shower Head OKI Ø250mm: ACS, IAPMO, CSA, Watermark e WELS Australia																															
CONFORMITA' / CONFORMITY .																															