
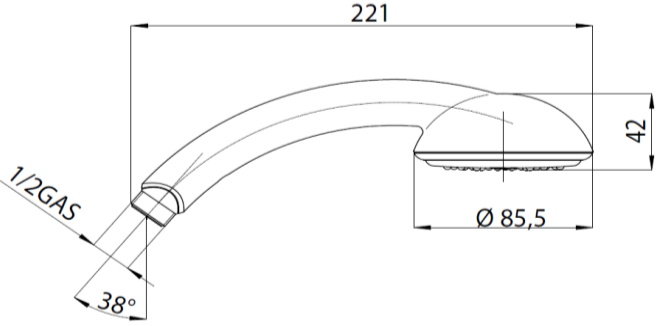
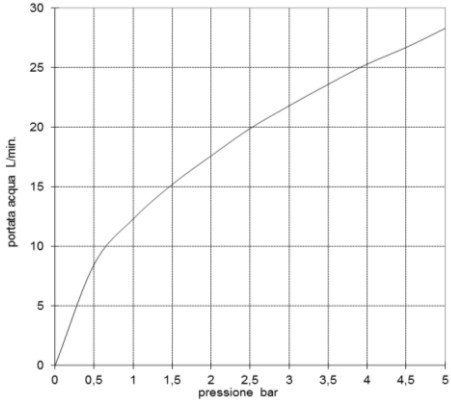


BOSSINI		SCHEDA TECNICA TECHNICAL SHEET		Date: 18/07/2017	Rev/0																										
Codice / Code: B00077		Descrizione / description: Doccia monogetto Single function handshower																													
Foto / image		Disegni / drawings																													
																															
Grafico di portata / Flow rate diagram																															
<table border="1"> <thead> <tr> <th></th> <th>rain</th> </tr> </thead> <tbody> <tr><td>0</td><td>0</td></tr> <tr><td>0,5</td><td>8,5</td></tr> <tr><td>1</td><td>12,3</td></tr> <tr><td>1,5</td><td>15,2</td></tr> <tr><td>2</td><td>17,6</td></tr> <tr><td>2,5</td><td>19,9</td></tr> <tr><td>3</td><td>21,8</td></tr> <tr><td>3,5</td><td>23,6</td></tr> <tr><td>4</td><td>25,3</td></tr> <tr><td>4,5</td><td>26,7</td></tr> <tr><td>5</td><td>28,3</td></tr> <tr> <td>pressione bar</td> <td>portata L/min</td> </tr> </tbody> </table>			rain	0	0	0,5	8,5	1	12,3	1,5	15,2	2	17,6	2,5	19,9	3	21,8	3,5	23,6	4	25,3	4,5	26,7	5	28,3	pressione bar	portata L/min				
	rain																														
0	0																														
0,5	8,5																														
1	12,3																														
1,5	15,2																														
2	17,6																														
2,5	19,9																														
3	21,8																														
3,5	23,6																														
4	25,3																														
4,5	26,7																														
5	28,3																														
pressione bar	portata L/min																														
MATERIALI / materials																															
ABS, Silicone, Nbr, Acetal																															
CARATTERISTICHE IDRAULICHE / hydraulic features																															
	pressione pressure	portata flow rate	temperatura temperature	solo per miscelatori termostatici only for thermostatic mixers																											
min	1 bar	--	--	Blocco di sicurezza safety lock	/																										
max	5 bar	--	<70°C	Temperatura acqua fredda cold water temperature	/																										
consigliata recommended	2-3 bar	--	<42°C	Temperatura acqua calda hot water temperature	/																										
CERTIFICAZIONI / CERTIFICATIONS:																															
ACS(FRA), NF [EN 1112] (FRA), WATERMARK [AS/NZS 3662:2005] (AUS), WELS PUB [1 thick] (SGP), CSA [ASME A112.18.1/CSA B125.1](CAN/USA), IAPMO [ASME A112.18.1/CSA B125.1] (USA/CAN).																															
CONFORMITA' / CONFORMITY :																															
Chrome plating - EN 248.																															