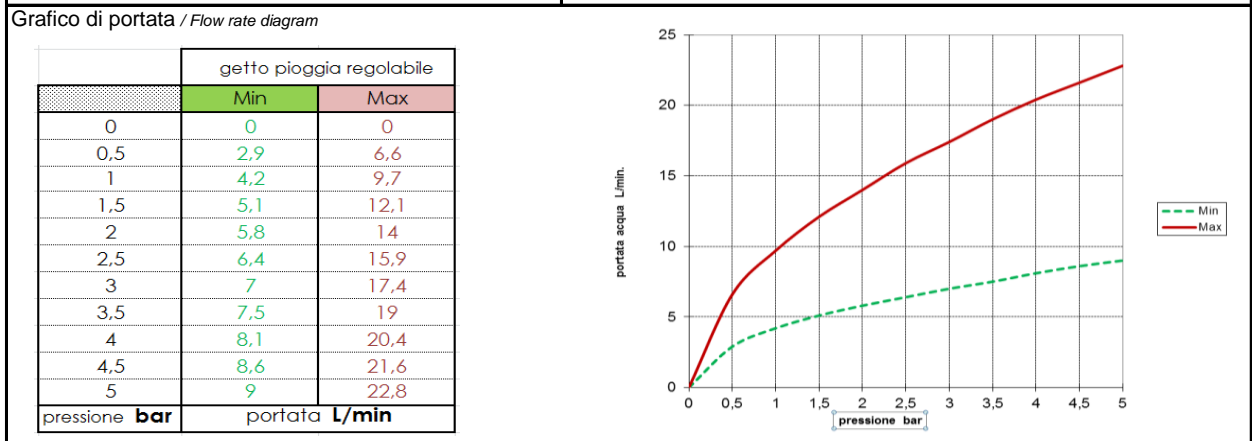
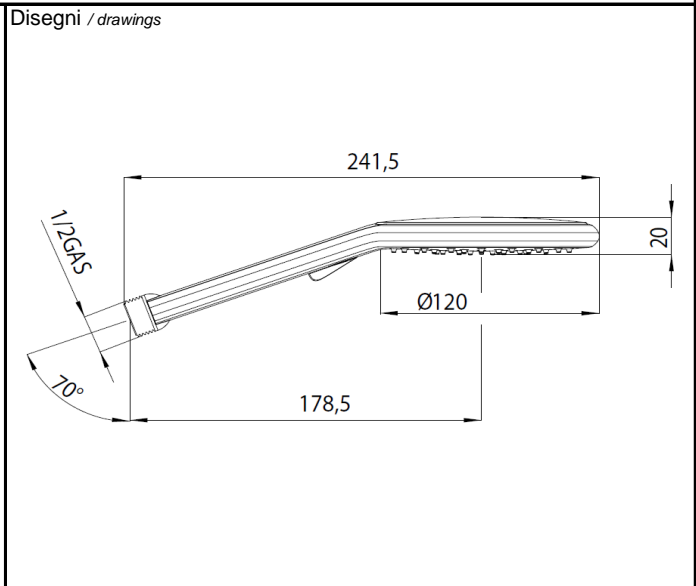


| | | | |
|---|--|------------------|-------|
|  | SCHEDA TECNICA TECHNICAL SHEET | Date: 18/07/2017 | Rev/0 |
| | | | |

| | |
|--|--|
| Codice / Code: B00176 | Descrizione / description: Doccia monogetto regolabile Ø 120 mm, con levetta Adjustable spray handshower Ø 120 mm, with lever |
|--|--|



MATERIALI / materials

ABS, Silicone, Nbr, Acetal

CARATTERISTICHE IDRAULICHE / hydraulic features

| | pressione pressure | portata flow rate | temperatura temperature | <i>solo per miscelatori termostatici</i> <i>only for thermostatic mixers</i> | |
|----------------------------|-----------------------|----------------------|----------------------------|---|---|
| min | 1 bar | 5 l/min | -- | Blocco di sicurezza safety lock | / |
| max | 5 bar | -- | <70°C | Temperatura acqua fredda cold water temperature | / |
| consigliata recommended | 2-3 bar | -- | <42°C | Temperatura acqua calda hot water temperature | / |

CERTIFICAZIONI / CERTIFICATIONS:
 ACS(FRA), WATERMARK [AS/NZS 3662:2005] (AUS), WELS PUB [1 thick] (SGP), CSA [ASME A112.18.1/CSA B125.1](CAN/USA), IAPMO [ASME A112.18.1/CSA B125.1] (USA/CAN).

CONFORMITA' / CONFORMITY :
 Chrome plating - EN 248.