
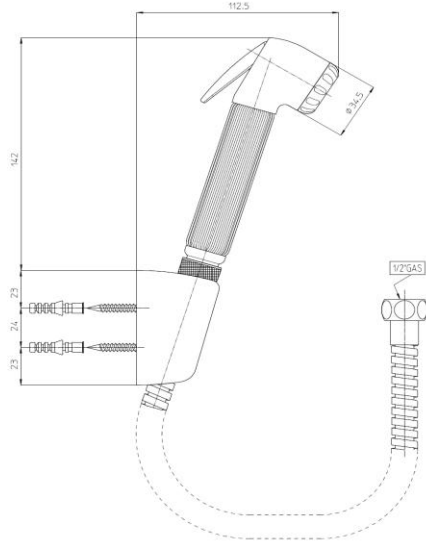
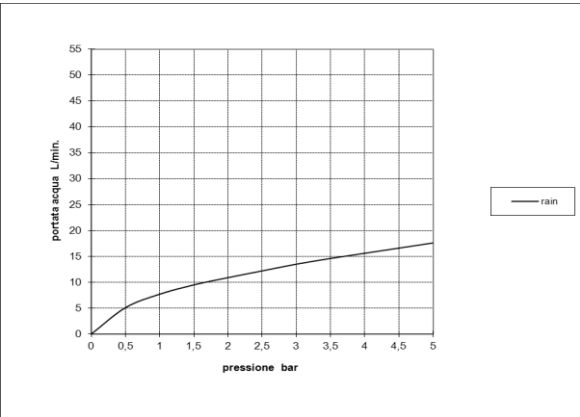


BOSSINI		SCHEDA TECNICA TECHNICAL SHEET		Date: 14/12/2015	Rev/0																								
<b>Codice / Code:</b> <b>C04045</b>		<b>Descrizione / description:</b> Duplex doccia a pulsante con supporto fisso, flessibile cm 125 Shut-off handspray set with fixed bracket, flexible hose cm 125																											
Foto / image		Disegni / drawings																											
																													
Grafico di portata / Flow rate diagram		<table border="1"> <thead> <tr> <th></th> <th>rain</th> </tr> </thead> <tbody> <tr><td>0</td><td>0</td></tr> <tr><td>0,5</td><td>5,1</td></tr> <tr><td>1</td><td>7,7</td></tr> <tr><td>1,5</td><td>9,5</td></tr> <tr><td>2</td><td>10,9</td></tr> <tr><td>2,5</td><td>12,2</td></tr> <tr><td>3</td><td>13,5</td></tr> <tr><td>3,5</td><td>14,6</td></tr> <tr><td>4</td><td>15,6</td></tr> <tr><td>4,5</td><td>16,6</td></tr> <tr><td>5</td><td>17,6</td></tr> </tbody> </table> 					rain	0	0	0,5	5,1	1	7,7	1,5	9,5	2	10,9	2,5	12,2	3	13,5	3,5	14,6	4	15,6	4,5	16,6	5	17,6
	rain																												
0	0																												
0,5	5,1																												
1	7,7																												
1,5	9,5																												
2	10,9																												
2,5	12,2																												
3	13,5																												
3,5	14,6																												
4	15,6																												
4,5	16,6																												
5	17,6																												
pressione <b>bar</b>		portata <b>L/min</b>																											
<b>MATERIALI / materials</b>																													
Brass, Rubber, Plastic																													
<b>CARATTERISTICHE IDRAULICHE / hydraulic features</b>																													
	pressione pressure	portata flow rate	temperatura temperature	solo per miscelatori termostatici only for thermostatic mixers																									
min	<b>1 bar</b>	/	--	Blocco di sicurezza safety lock	/																								
max	<b>5 bar</b>	/	<b>&lt;70°C</b>	Temperatura acqua fredda cold water temperature	/																								
consigliata recommended	<b>2-3 bar</b>	<b>5 L/min</b>	<b>°C</b>	Temperatura acqua calda hot water temperature	/																								
<b>CERTIFICAZIONI / CERTIFICATIONS</b>																													
Hose: ACS (FRA), NF [EN 1113] (FRA); Shower: ACS (FRA)																													
<b>CONFORMITA' / CONFORMITY</b>																													
Chrome plating - EN 248																													