
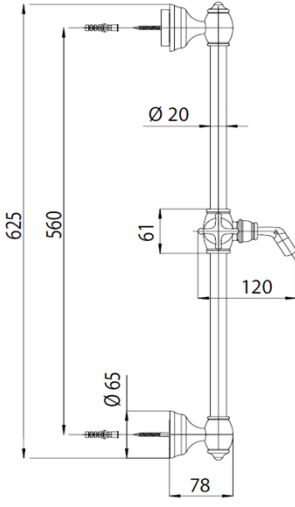
		SCHEDA TECNICA TECHNICAL SHEET		Date: 30/06/2016	Rev/0
Codice / Code: D03000		Descrizione / description: Asta murale Charleston ottone cm 60 Ø 20 mm Cm 60 Ø 20 mm Charleston brass slide rail			
Foto / image 		Disegni / drawings 			
Grafico di portata / Flow rate diagram					
MATERIALI / materials OTTONE/BRASS					
CARATTERISTICHE IDRAULICHE / hydraulic features					
	pressione pressure	portata flow rate	temperatura temperature	<i>solo per miscelatori termostatici</i> <i>only for thermostatic mixers</i>	
min	N/A	N/A	N/A	Blocco di sicurezza safety lock	/
max	N/A	N/A	N/A	Temperatura acqua fredda cold water temperature	/
consigliata recommended	N/A	N/A	N/A	Temperatura acqua calda hot water temperature	/
CERTIFICAZIONI / CERTIFICATIONS:					
CONFORMITA' / CONFORMITY : Chrome Plating: EN 248					