
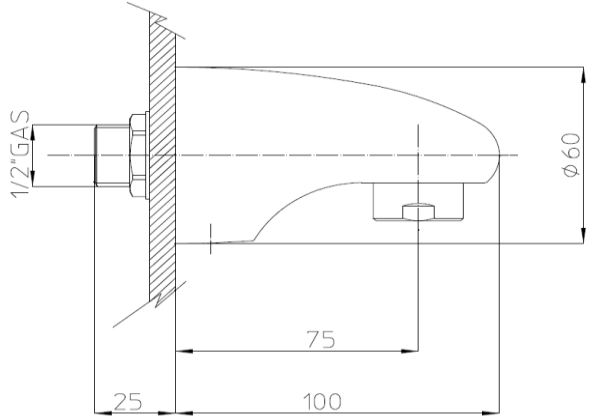
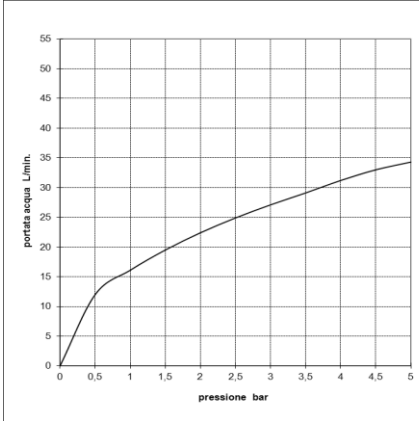


BOSSINI		SCHEDA TECNICA TECHNICAL SHEET		Date: 14/12/2015	Rev/0																										
<b>Codice / Code:</b> <b>E77200</b>		<b>Descrizione / description:</b> Bocca vasca in ottone con getto areato 1/2" M Brass spout with aerated spray, 1/2" M wall inlet																													
<b>Foto / image</b>		<b>Disegni / drawings</b>																													
																															
<b>Grafico di portata / Flow rate diagram</b>																															
<table border="1"> <thead> <tr> <th></th> <th>aerated spray</th> </tr> </thead> <tbody> <tr><td>0</td><td>0</td></tr> <tr><td>0,5</td><td>12</td></tr> <tr><td>1</td><td>16,1</td></tr> <tr><td>1,5</td><td>19,5</td></tr> <tr><td>2</td><td>22,4</td></tr> <tr><td>2,5</td><td>24,9</td></tr> <tr><td>3</td><td>27,1</td></tr> <tr><td>3,5</td><td>29,1</td></tr> <tr><td>4</td><td>31,2</td></tr> <tr><td>4,5</td><td>33</td></tr> <tr><td>5</td><td>34,3</td></tr> <tr> <td>pressione <b>bar</b></td> <td>portata <b>L/min</b></td> </tr> </tbody> </table>			aerated spray	0	0	0,5	12	1	16,1	1,5	19,5	2	22,4	2,5	24,9	3	27,1	3,5	29,1	4	31,2	4,5	33	5	34,3	pressione <b>bar</b>	portata <b>L/min</b>				
	aerated spray																														
0	0																														
0,5	12																														
1	16,1																														
1,5	19,5																														
2	22,4																														
2,5	24,9																														
3	27,1																														
3,5	29,1																														
4	31,2																														
4,5	33																														
5	34,3																														
pressione <b>bar</b>	portata <b>L/min</b>																														
<b>MATERIALI / materials</b>																															
OTTONE/BRASS																															
<b>CARATTERISTICHE IDRAULICHE / hydraulic features</b>																															
	pressione pressure	portata flow rate	temperatura temperature	solo per miscelatori termostatici only for thermostatic mixers																											
min	<b>1 bar</b>	--	--	Blocco di sicurezza safety lock	/																										
max	<b>5 bar</b>	--	<b>&lt;70°C</b>	Temperatura acqua fredda cold water temperature	/																										
consigliata recommended	<b>2-3 bar</b>	--	<b>&lt;42°C</b>	Temperatura acqua calda hot water temperature	/																										
<b>CERTIFICAZIONI / CERTIFICATIONS:</b>																															
<b>CONFORMITA' / CONFORMITY :</b> Chrome plating - EN 248.																															