
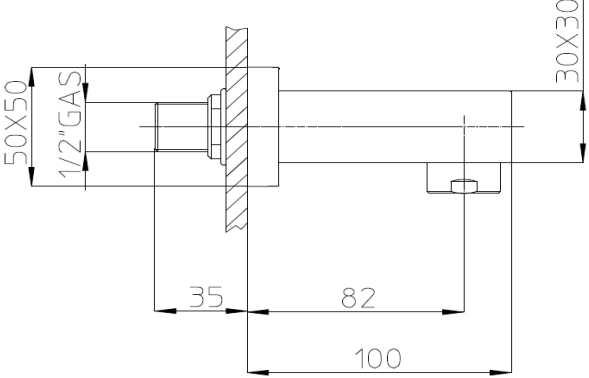
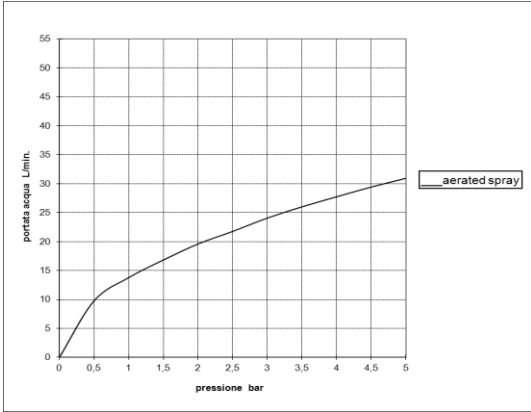
		<b>SCHEDA TECNICA</b> TECHNICAL SHEET		Date: 14/12/2015	Rev/0																										
<b>Codice / Code:</b> <b>E86300</b>		<b>Descrizione / description:</b> Bocca vasca ottone con getto areato 1/2" M Brass spout with aerated spray, 1/2" M wall inlet																													
<b>Foto / image</b> 		<b>Disegni / drawings</b> 																													
<b>Grafico di portata / Flow rate diagram</b> <table border="1" data-bbox="362 916 659 1292"> <thead> <tr> <th></th> <th>aerated spray</th> </tr> </thead> <tbody> <tr><td>0</td><td>0</td></tr> <tr><td>0,5</td><td>9,8</td></tr> <tr><td>1</td><td>13,8</td></tr> <tr><td>1,5</td><td>16,8</td></tr> <tr><td>2</td><td>19,6</td></tr> <tr><td>2,5</td><td>21,8</td></tr> <tr><td>3</td><td>24,1</td></tr> <tr><td>3,5</td><td>26,0</td></tr> <tr><td>4</td><td>27,7</td></tr> <tr><td>4,5</td><td>29,4</td></tr> <tr><td>5</td><td>30,9</td></tr> <tr> <td>pressione <b>bar</b></td> <td>portata <b>L/min</b></td> </tr> </tbody> </table>			aerated spray	0	0	0,5	9,8	1	13,8	1,5	16,8	2	19,6	2,5	21,8	3	24,1	3,5	26,0	4	27,7	4,5	29,4	5	30,9	pressione <b>bar</b>	portata <b>L/min</b>				
	aerated spray																														
0	0																														
0,5	9,8																														
1	13,8																														
1,5	16,8																														
2	19,6																														
2,5	21,8																														
3	24,1																														
3,5	26,0																														
4	27,7																														
4,5	29,4																														
5	30,9																														
pressione <b>bar</b>	portata <b>L/min</b>																														
<b>MATERIALI / materials</b> OTTONE/BRASS																															
<b>CARATTERISTICHE IDRAULICHE / hydraulic features</b> <table border="1" data-bbox="204 1489 1452 1720"> <thead> <tr> <th></th> <th>pressione pressure</th> <th>portata flow rate</th> <th>temperatura temperature</th> <th colspan="2">solo per miscelatori termostatici only for thermostatic mixers</th> </tr> </thead> <tbody> <tr> <td>min</td> <td><b>1 bar</b></td> <td>--</td> <td>--</td> <td>Blocco di sicurezza safety lock</td> <td>/</td> </tr> <tr> <td>max</td> <td><b>5 bar</b></td> <td>--</td> <td><b>&lt;70°C</b></td> <td>Temperatura acqua fredda cold water temperature</td> <td>/</td> </tr> <tr> <td>consigliata recommended</td> <td><b>2-3 bar</b></td> <td>--</td> <td><b>&lt;42°C</b></td> <td>Temperatura acqua calda hot water temperature</td> <td>/</td> </tr> </tbody> </table>							pressione pressure	portata flow rate	temperatura temperature	solo per miscelatori termostatici only for thermostatic mixers		min	<b>1 bar</b>	--	--	Blocco di sicurezza safety lock	/	max	<b>5 bar</b>	--	<b>&lt;70°C</b>	Temperatura acqua fredda cold water temperature	/	consigliata recommended	<b>2-3 bar</b>	--	<b>&lt;42°C</b>	Temperatura acqua calda hot water temperature	/		
	pressione pressure	portata flow rate	temperatura temperature	solo per miscelatori termostatici only for thermostatic mixers																											
min	<b>1 bar</b>	--	--	Blocco di sicurezza safety lock	/																										
max	<b>5 bar</b>	--	<b>&lt;70°C</b>	Temperatura acqua fredda cold water temperature	/																										
consigliata recommended	<b>2-3 bar</b>	--	<b>&lt;42°C</b>	Temperatura acqua calda hot water temperature	/																										
<b>CERTIFICAZIONI / CERTIFICATIONS:</b>																															
<b>CONFORMITA' / CONFORMITY :</b> Chrome plating - EN 248.																															