
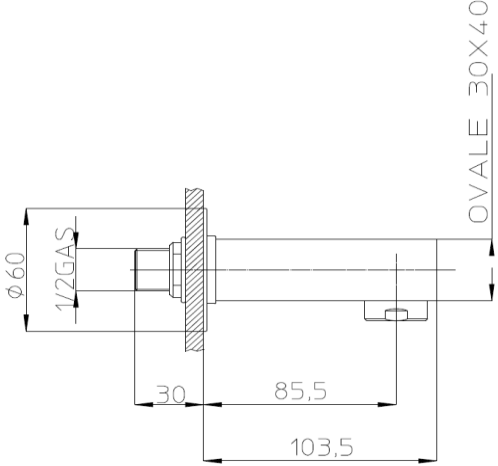
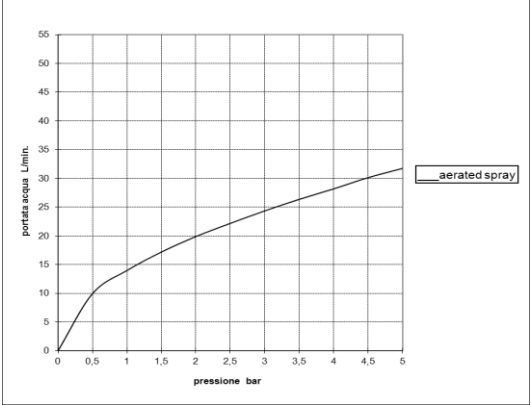


BOSSINI		SCHEDA TECNICA TECHNICAL SHEET		Date: 14/12/2015	Rev/0																										
Codice / Code: E86500		Descrizione / description: Bocca vasca ellittica in ottone con getto areato 1/2" M Elliptical brass spout with aerated spray, 1/2" M wall inlet																													
Foto / image		Disegni / drawings																													
																															
Grafico di portata / Flow rate diagram																															
<table border="1"> <thead> <tr> <th></th> <th>aerated spray</th> </tr> </thead> <tbody> <tr><td>0</td><td>0</td></tr> <tr><td>0,5</td><td>9,9</td></tr> <tr><td>1</td><td>14,0</td></tr> <tr><td>1,5</td><td>17,2</td></tr> <tr><td>2</td><td>19,9</td></tr> <tr><td>2,5</td><td>22,2</td></tr> <tr><td>3</td><td>24,4</td></tr> <tr><td>3,5</td><td>26,4</td></tr> <tr><td>4</td><td>28,2</td></tr> <tr><td>4,5</td><td>30,1</td></tr> <tr><td>5</td><td>31,7</td></tr> <tr> <td>pressione bar</td> <td>portata L/min</td> </tr> </tbody> </table>			aerated spray	0	0	0,5	9,9	1	14,0	1,5	17,2	2	19,9	2,5	22,2	3	24,4	3,5	26,4	4	28,2	4,5	30,1	5	31,7	pressione bar	portata L/min				
	aerated spray																														
0	0																														
0,5	9,9																														
1	14,0																														
1,5	17,2																														
2	19,9																														
2,5	22,2																														
3	24,4																														
3,5	26,4																														
4	28,2																														
4,5	30,1																														
5	31,7																														
pressione bar	portata L/min																														
MATERIALI / materials																															
OTTONE/BRASS																															
CARATTERISTICHE IDRAULICHE / hydraulic features																															
	pressione pressure	portata flow rate	temperatura temperature	solo per miscelatori termostatici only for thermostatic mixers																											
min	1 bar	--	--	Blocco di sicurezza safety lock	/																										
max	5 bar	--	<70°C	Temperatura acqua fredda cold water temperature	/																										
consigliata recommended	2-3 bar	--	<42°C	Temperatura acqua calda hot water temperature	/																										
CERTIFICAZIONI / CERTIFICATIONS:																															
CONFORMITA' / CONFORMITY : Chrome plating - EN 248.																															