
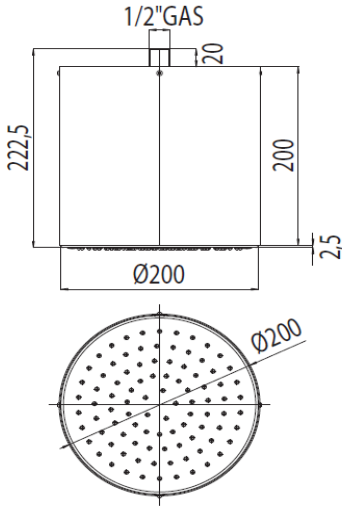
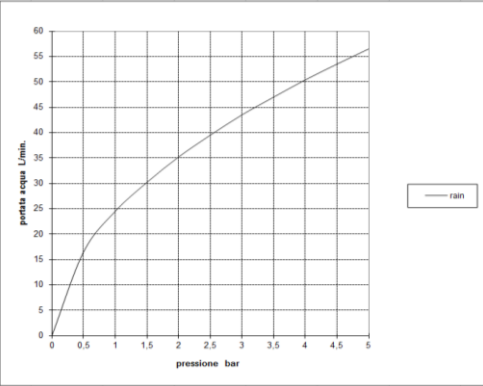


BOSSINI		SCHEDA TECNICA TECHNICAL SHEET		Date: 31/08/2015	Rev/0																								
<b>Codice / Code:</b> <b>H80405</b>		<b>Descrizione / description:</b> Soffione Oki-Inox Ø 200 mm con rivestimento in acciaio inox. Installazione a soffitto Oki-Inox Shower head Ø 200 mm with stainless steel cover. Ceiling Installation																											
<b>Foto / image</b>		<b>Disegni / drawings</b>																											
																													
<b>Grafico di portata / Flow rate diagram</b>																													
		<table border="1"> <thead> <tr> <th></th> <th>rain</th> </tr> </thead> <tbody> <tr><td>0</td><td>0</td></tr> <tr><td>0,5</td><td>16,5</td></tr> <tr><td>1</td><td>24,5</td></tr> <tr><td>1,5</td><td>30,2</td></tr> <tr><td>2</td><td>35,2</td></tr> <tr><td>2,5</td><td>39,5</td></tr> <tr><td>3</td><td>43,5</td></tr> <tr><td>3,5</td><td>47</td></tr> <tr><td>4</td><td>50,4</td></tr> <tr><td>4,5</td><td>53,5</td></tr> <tr><td>5</td><td>56,5</td></tr> </tbody> </table> <p>pressione <b>bar</b>    portata <b>L/min</b>  <b>PORTATA MIN 9 L/min</b>  <b>MIN FLOW RATE 9 L/MIN</b></p>					rain	0	0	0,5	16,5	1	24,5	1,5	30,2	2	35,2	2,5	39,5	3	43,5	3,5	47	4	50,4	4,5	53,5	5	56,5
	rain																												
0	0																												
0,5	16,5																												
1	24,5																												
1,5	30,2																												
2	35,2																												
2,5	39,5																												
3	43,5																												
3,5	47																												
4	50,4																												
4,5	53,5																												
5	56,5																												
<b>MATERIALI / materials</b>																													
Stainless Steel, Brass, Plastic, Rubber																													
<b>CARATTERISTICHE IDRAULICHE / hydraulic features</b>																													
	pressione pressure	portata flow rate	temperatura temperature	<i>solo per miscelatori termostatici</i> <i>only for thermostatic mixers</i>																									
min	<b>1 bar</b>	<b>L/min</b>	--	Blocco di sicurezza safety lock	/																								
max	<b>5 bar</b>	<b>L/min</b>	<b>&lt;70°C</b>	Temperatura acqua fredda cold water temperature	/																								
consigliata recommended	<b>2-3 bar</b>	<b>L/min</b>	<b>°C</b>	Temperatura acqua calda hot water temperature	/																								
<b>CERTIFICAZIONI / CERTIFICATIONS:</b>																													
<b>CONFORMITA' / CONFORMITY:</b>																													
EN 1112																													