
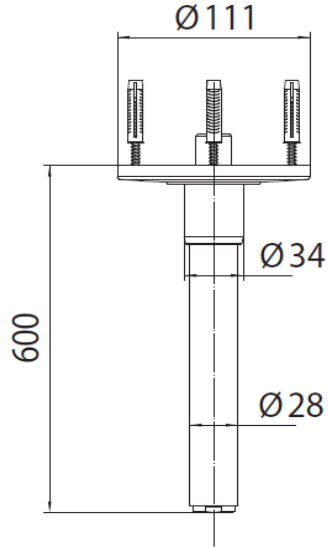


| BOSSINI | | SCHEDA TECNICA TECHNICAL SHEET | | Date: 31/08/2015 | Rev/0 | | | | | | | | | | | | | | | | | | | | | | | | | | |
|---|-----------------------|--|----------------------------|---|-------|--|-----------------------|----------------------|----------------------------|---|------|-----|--------------|--------------|------|------------------------------------|------|-----|--------------|--------------|-----------------|--|------|----------------------------|----------------|--------------|-----------|--|------|----------------------|----------------------|
| Codice / Code: H97000L | | Descrizione / description: Tubo verticale con getto pioggia Ø 28 mm 1/2"MM Ceiling pipe with rain spray Ø 28 mm 1/2" MM | | | | | | | | | | | | | | | | | | | | | | | | | | | | | |
| Foto / image | | Disegni / drawing | | | | | | | | | | | | | | | | | | | | | | | | | | | | | |
|  | |  | | | | | | | | | | | | | | | | | | | | | | | | | | | | | |
| Grafico di portata / Flow rate diagram | | <table border="1"> <thead> <tr> <th></th> <th>RAIN SPRAY</th> </tr> </thead> <tbody> <tr><td>0</td><td>0,0</td></tr> <tr><td>0,5</td><td>12,6</td></tr> <tr><td>1</td><td>17,3</td></tr> <tr><td>1,5</td><td>21,1</td></tr> <tr><td>2</td><td>24,0</td></tr> <tr><td>2,5</td><td>25,8</td></tr> <tr><td>3</td><td>27,1</td></tr> <tr><td>3,5</td><td>28,3</td></tr> <tr><td>4</td><td>29,4</td></tr> <tr><td>4,5</td><td>30,2</td></tr> <tr><td>5</td><td>30,8</td></tr> <tr> <td>pressione bar</td> <td>portata L/min</td> </tr> </tbody> </table> | | | | | RAIN SPRAY | 0 | 0,0 | 0,5 | 12,6 | 1 | 17,3 | 1,5 | 21,1 | 2 | 24,0 | 2,5 | 25,8 | 3 | 27,1 | 3,5 | 28,3 | 4 | 29,4 | 4,5 | 30,2 | 5 | 30,8 | pressione bar | portata L/min |
| | RAIN SPRAY | | | | | | | | | | | | | | | | | | | | | | | | | | | | | | |
| 0 | 0,0 | | | | | | | | | | | | | | | | | | | | | | | | | | | | | | |
| 0,5 | 12,6 | | | | | | | | | | | | | | | | | | | | | | | | | | | | | | |
| 1 | 17,3 | | | | | | | | | | | | | | | | | | | | | | | | | | | | | | |
| 1,5 | 21,1 | | | | | | | | | | | | | | | | | | | | | | | | | | | | | | |
| 2 | 24,0 | | | | | | | | | | | | | | | | | | | | | | | | | | | | | | |
| 2,5 | 25,8 | | | | | | | | | | | | | | | | | | | | | | | | | | | | | | |
| 3 | 27,1 | | | | | | | | | | | | | | | | | | | | | | | | | | | | | | |
| 3,5 | 28,3 | | | | | | | | | | | | | | | | | | | | | | | | | | | | | | |
| 4 | 29,4 | | | | | | | | | | | | | | | | | | | | | | | | | | | | | | |
| 4,5 | 30,2 | | | | | | | | | | | | | | | | | | | | | | | | | | | | | | |
| 5 | 30,8 | | | | | | | | | | | | | | | | | | | | | | | | | | | | | | |
| pressione bar | portata L/min | | | | | | | | | | | | | | | | | | | | | | | | | | | | | | |
| MATERIALI / materials | | Brass, Plstic, Rubber | | | | | | | | | | | | | | | | | | | | | | | | | | | | | |
| CARATTERISTICHE IDRAULICHE / hydraulic features | | <table border="1"> <thead> <tr> <th></th> <th>pressione pressure</th> <th>portata flow rate</th> <th>temperatura temperature</th> <th colspan="2"><i>solo per miscelatori termostatici</i> <i>only for thermostatic mixers</i></th> </tr> </thead> <tbody> <tr> <td>min</td> <td>1 bar</td> <td>L/min</td> <td>--</td> <td>Blocco di sicurezza safety lock</td> <td>/</td> </tr> <tr> <td>max</td> <td>5 bar</td> <td>L/min</td> <td><70°C</td> <td>Temperatura acqua fredda cold water temperature</td> <td>/</td> </tr> <tr> <td>consigliata recommended</td> <td>2-3 bar</td> <td>L/min</td> <td>°C</td> <td>Temperatura acqua calda hot water temperature</td> <td>/</td> </tr> </tbody> </table> | | | | | pressione pressure | portata flow rate | temperatura temperature | <i>solo per miscelatori termostatici</i> <i>only for thermostatic mixers</i> | | min | 1 bar | L/min | -- | Blocco di sicurezza safety lock | / | max | 5 bar | L/min | <70°C | Temperatura acqua fredda cold water temperature | / | consigliata recommended | 2-3 bar | L/min | °C | Temperatura acqua calda hot water temperature | / | | |
| | pressione pressure | portata flow rate | temperatura temperature | <i>solo per miscelatori termostatici</i> <i>only for thermostatic mixers</i> | | | | | | | | | | | | | | | | | | | | | | | | | | | |
| min | 1 bar | L/min | -- | Blocco di sicurezza safety lock | / | | | | | | | | | | | | | | | | | | | | | | | | | | |
| max | 5 bar | L/min | <70°C | Temperatura acqua fredda cold water temperature | / | | | | | | | | | | | | | | | | | | | | | | | | | | |
| consigliata recommended | 2-3 bar | L/min | °C | Temperatura acqua calda hot water temperature | / | | | | | | | | | | | | | | | | | | | | | | | | | | |
| CERTIFICAZIONI / CERTIFICATIONS: | | | | | | | | | | | | | | | | | | | | | | | | | | | | | | | |
| CONFORMITA' / CONFORMITY: | | EN 1112 - EN 248 | | | | | | | | | | | | | | | | | | | | | | | | | | | | | |